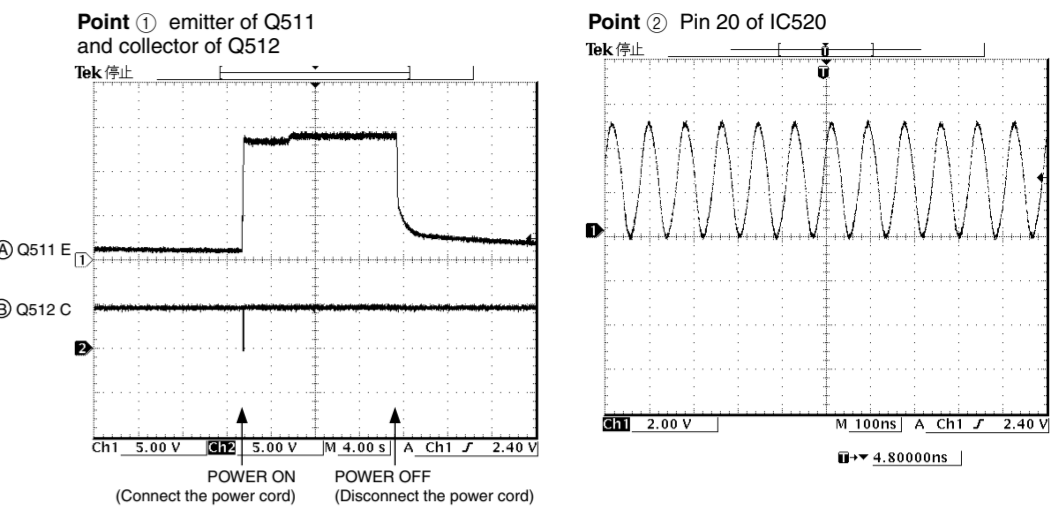
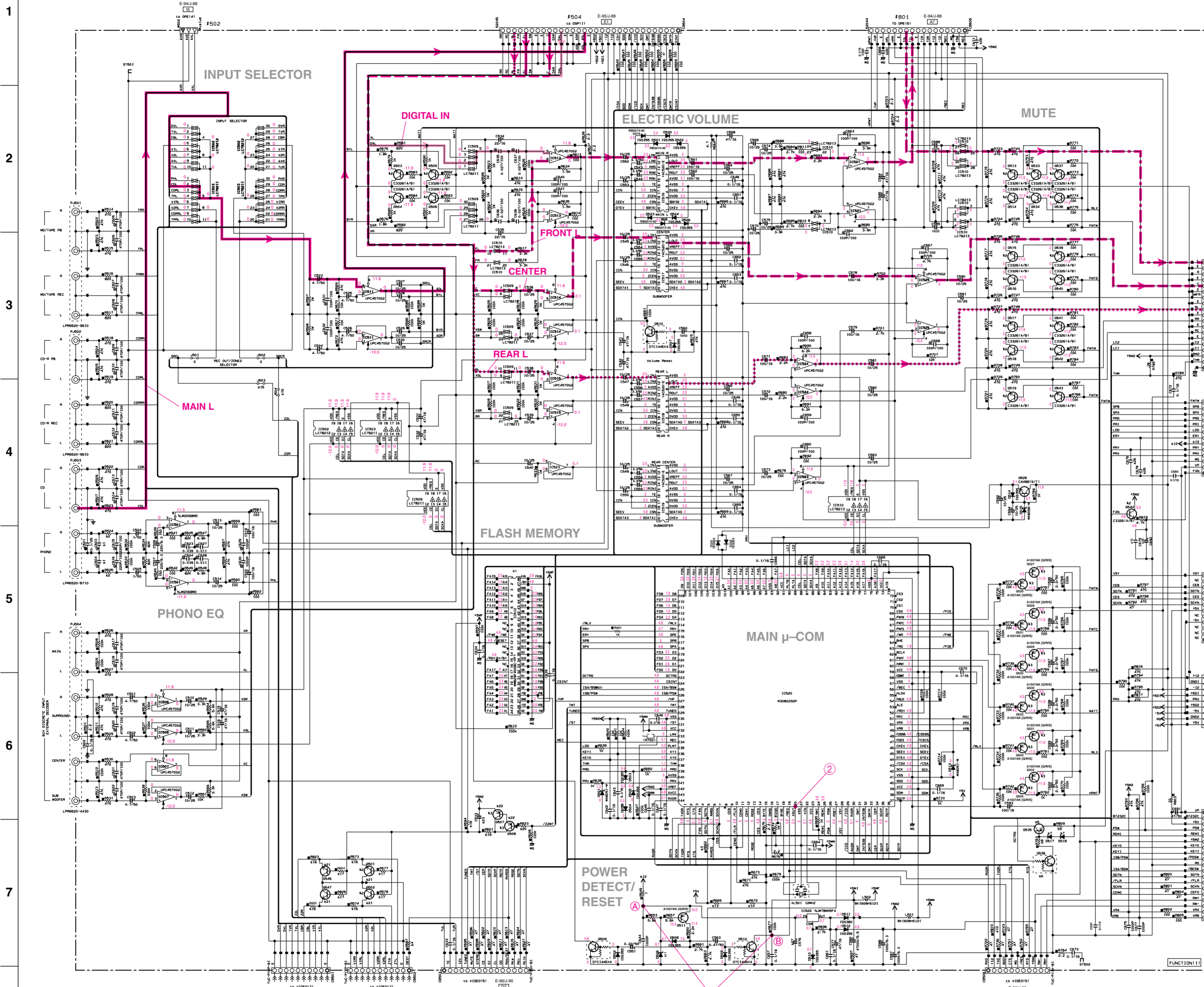


# SCHEMATIC DIAGRAM (RX-V1200/RX-V1200RDS/HTR-5490/DSP-AX1200 FUNCTION)

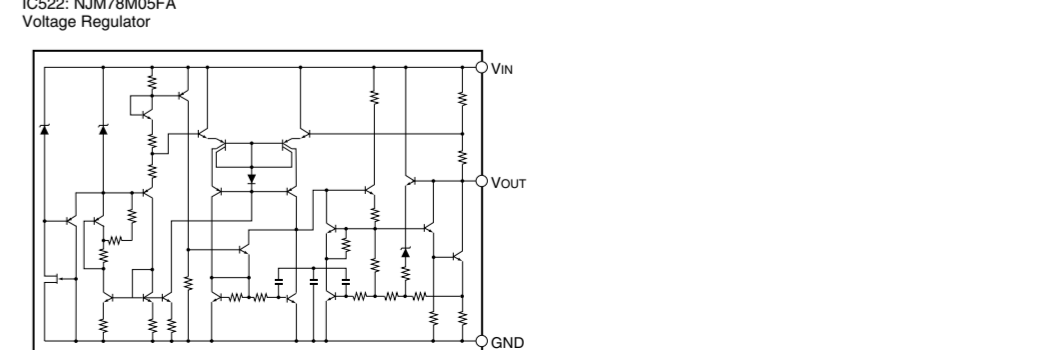
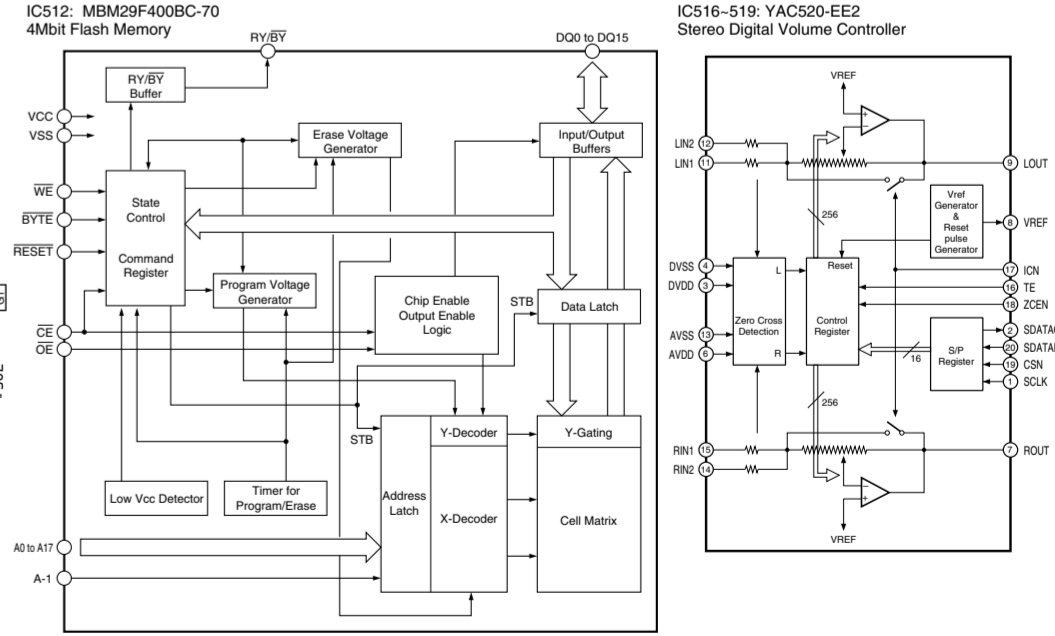
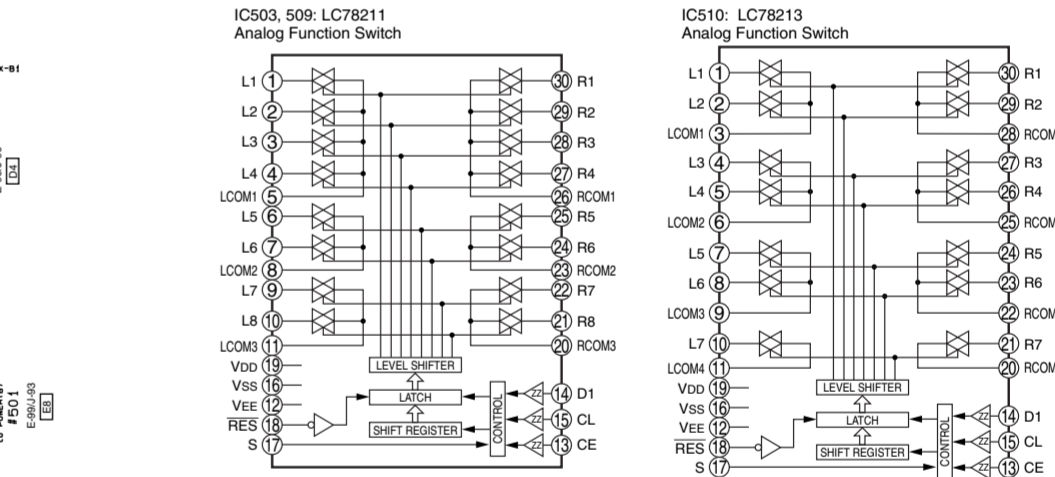
RX-V1200/RX-V1200RDS/HTR-5490/DSP-AX1200/RX-V2200/DSP-AX2200



| IC501: NJM2068MD | IC506, 507: 511, 513-515: μPC4570G2 | IC521, IC523-IC525: μPC4570G2 | Dual Op-Amp |
|------------------|-------------------------------------|-------------------------------|-------------|
| OUT1 [1]         | 8 +Vcc                              | 7 OUT2                        |             |
| -IN1 [2]         |                                     | 6 -IN2                        |             |
| +IN1 [3]         |                                     | 5 +IN2                        |             |
| -Vcc [4]         |                                     |                               |             |

| IC502: LC78212 | IC510: LC78213 |
|----------------|----------------|
| L1 [1]         | R1 [1]         |
| L2 [2]         | R2 [2]         |
| L3 [3]         | R3 [3]         |
| LOCM1 [4]      | RCOM1 [4]      |
| L4 [5]         | R4 [5]         |
| L5 [6]         | R5 [6]         |
| LOCM2 [7]      | RCOM2 [7]      |
| L6 [8]         | R6 [8]         |
| L7 [9]         | R7 [9]         |
| LOCM3 [10]     | RCOM3 [10]     |
| L8 [11]        | R8 [11]        |
| LOCM4 [12]     | RCOM4 [12]     |
| VDD [13]       | LEVEL SHIFTER  |
| VSS [14]       | LATCH          |
| VEE [15]       | SHIFT REGISTER |
| RES [16]       | CONTROL        |
| S [17]         | CE             |



NOTICE (model 1)

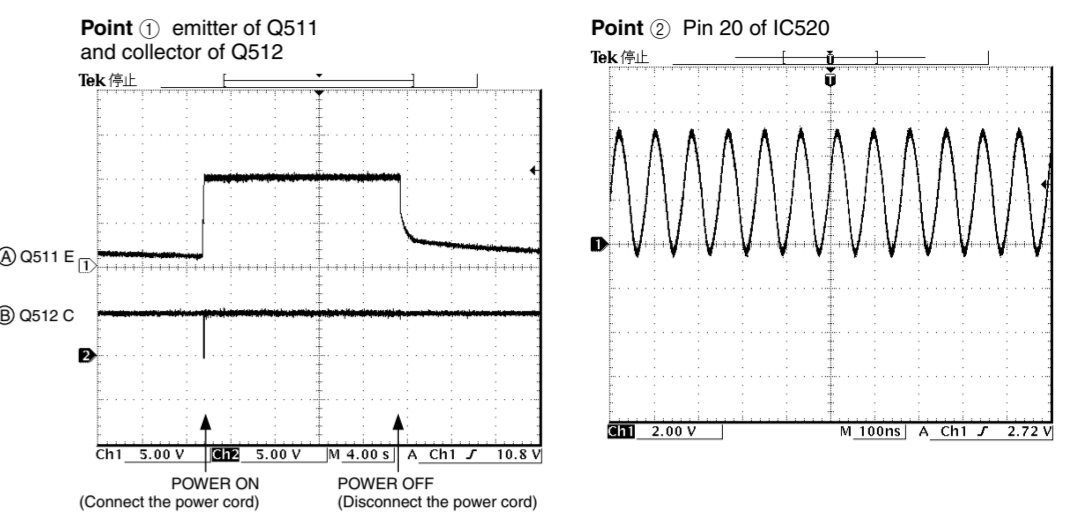
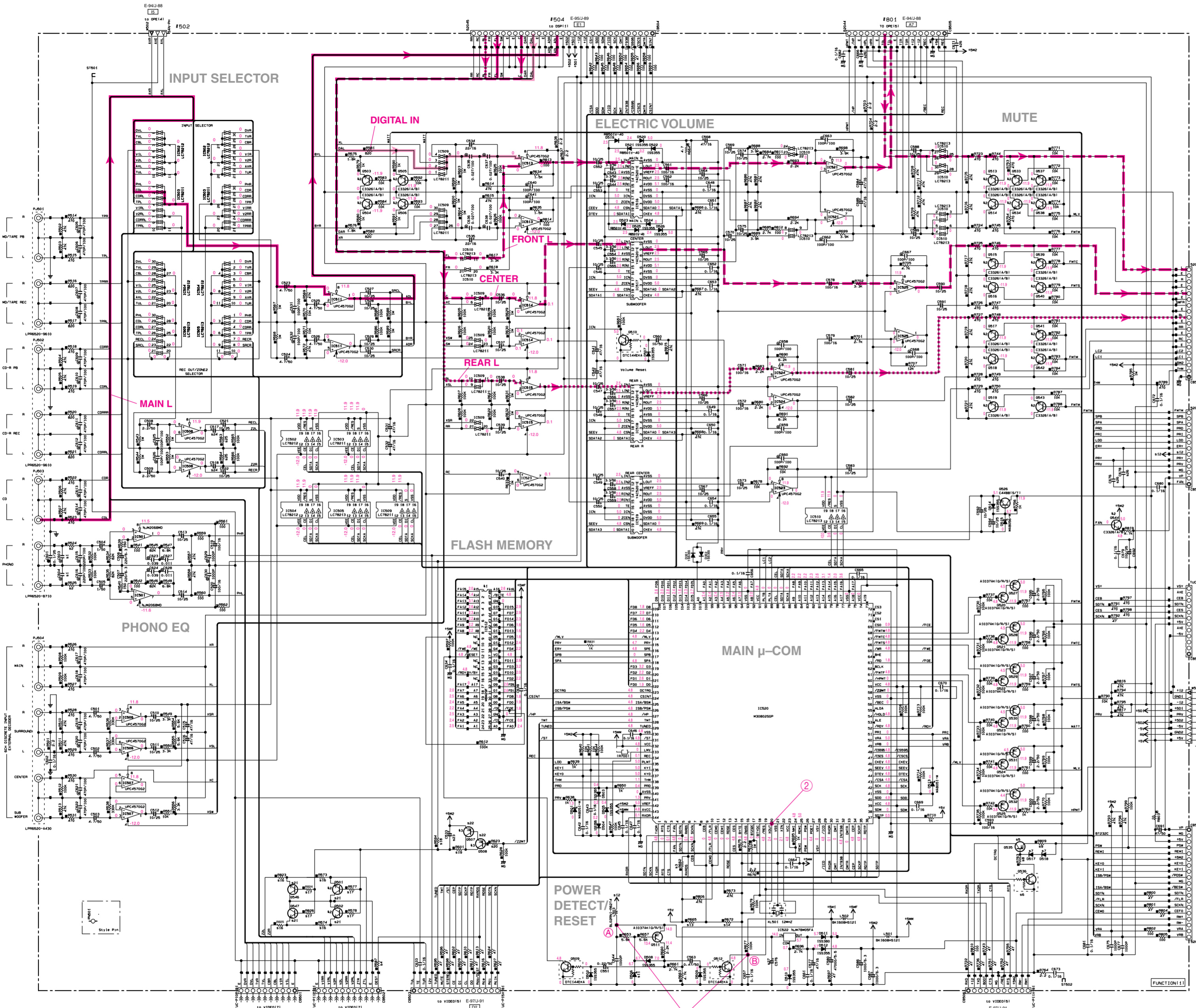
Interchangeable Parts at Manufacturer's Stage

| NO. | REFERENCE DESIGN NUMBER  | PARTS NAME                        |
|-----|--|-----------------------------------|
| 41  | 0312   | INDUCED-PHOSPHOR FLUORESCENT LAMP |
| 42  | 001-006, 513-018, 003, 004, 007, 008, 009, 010, 011, 012, 013, 014, 015, 016, 017, 018, 019, 020, 021, 022, 023, 024, 025, 026, 027, 028, 029, 030, 031, 032, 033, 034, 035, 036, 037, 038, 039, 040, 041, 042, 043, 044, 045, 046, 047, 048, 049, 050, 051, 052, 053, 054, 055, 056, 057, 058, 059, 060, 061, 062, 063, 064, 065, 066, 067, 068, 069, 070, 071, 072, 073, 074, 075, 076, 077, 078, 079, 080, 081, 082, 083, 084, 085, 086, 087, 088, 089, 090, 091, 092, 093, 094, 095, 096, 097, 098, 099, 100 | RESISTOR                          |
| 43  | 001-006, 513-018, 003, 004, 007, 008, 009, 010, 011, 012, 013, 014, 015, 016, 017, 018, 019, 020, 021, 022, 023, 024, 025, 026, 027, 028, 029, 030, 031, 032, 033, 034, 035, 036, 037, 038, 039, 040, 041, 042, 043, 044, 045, 046, 047, 048, 049, 050, 051, 052, 053, 054, 055, 056, 057, 058, 059, 060, 061, 062, 063, 064, 065, 066, 067, 068, 069, 070, 071, 072, 073, 074, 075, 076, 077, 078, 079, 080, 081, 082, 083, 084, 085, 086, 087, 088, 089, 090, 091, 092, 093, 094, 095, 096, 097, 098, 099, 100 | RESISTOR                          |
| 44  |  | RESISTOR                          |
| 45  |  | RESISTOR                          |

| REMARKS | PARTS NAME                           |
|---------|--------------------------------------|
| NO MARK | ELECTROLYTIC CAPACITOR               |
| NO MARK | TANTALUM CAPACITOR                   |
| NO MARK | CERAMIC CAPACITOR                    |
| NO MARK | CERAMIC TUBULAR CAPACITOR            |
| NO MARK | POLYESTER FILM CAPACITOR             |
| NO MARK | POLYESTER FILM CAPACITOR             |
| NO MARK | MICA CAPACITOR                       |
| NO MARK | POLYPROPYLENE FILM CAPACITOR         |
| NO MARK | SEMICONDUCTIVE CERAMIC CAPACITOR     |
| NO MARK | POLYPHENYLENE SULFIDE FILM CAPACITOR |
| NO MARK | CARBON FILM RESISTOR (P=5)           |
| NO MARK | CARBON FILM RESISTOR (P=10)          |
| NO MARK | METAL OXIDE FILM RESISTOR            |
| NO MARK | METAL PLATE RESISTOR                 |
| NO MARK | FIRE PROOF CARBON FILM RESISTOR      |
| NO MARK | CEMENT MOUNTED RESISTOR              |
| NO MARK | SEMI VARIABLE RESISTOR               |
| NO MARK | CHIP RESISTOR                        |

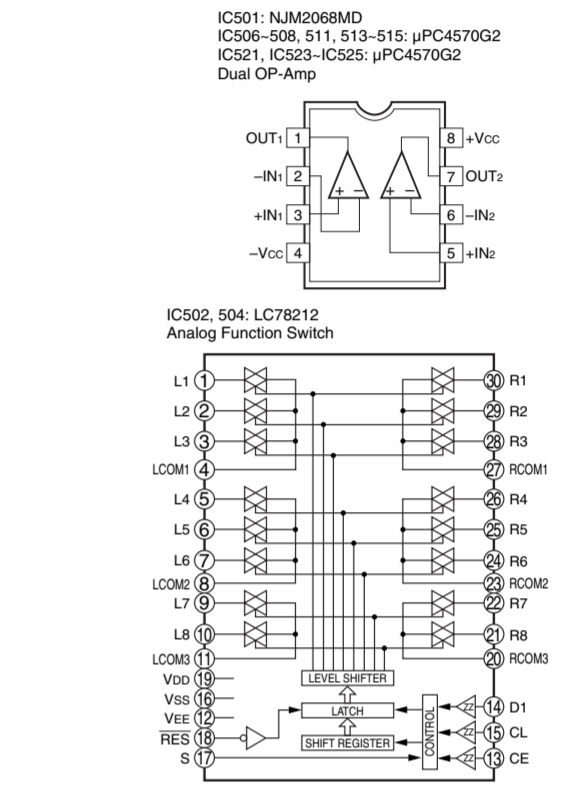
- \* All voltages are measured with a 10M Ω DC electric volt meter.
- \* Components having special characteristics are marked Δ and must be replaced with parts having specifications equal to those originally installed.
- \* Schematic diagram is subject to change without notice.
- 電圧は、内部抵抗10MΩの電圧計で測定したものです。
- Δ印のある部品は、安全性確保部品を示しています。部品の交換が必要な場合、パーツリストに記載されている部品を使用してください。
- 本回路図は標準回路図です。改良のため予告なく変更することがございます。

RX-V1200/RX-V1200RDS/HTR-5490/DSP-AX1200/RX-V2200/DSP-AX2200  
**SCHEMATIC DIAGRAM (RX-V2200/DSP-AX2200 FUNCTION)**



| IC No. | IC No.    | U-C      | Q-T      | A        | Comments |
|--------|-----------|----------|----------|----------|----------|
| 1      | IC500-504 | 47       | 47       | 100V/100 | UPR0222  |
| 2      | IC504-520 | 47       | 47       | 100V/100 | UPR0222  |
| 3      | IC507     | x        | x        | 100K     | x        |
| 4      | IC508     | x        | x        | 47       | x        |
| 5      | IC509     | x        | AT14044A | AT14044A | AT14044A |
| 6      | IC510     | x        | AT14044A | AT14044A | AT14044A |
| 7      | IC511-518 | x        | 100K     | 100K     | 100K     |
| 8      | IC519     | x        | 33K      | 33K      | 33K      |
| 9      | IC520     | x        | 47       | 47       | 47       |
| 10     |           |          |          |          |          |
| 11     | IC506     | 4700K-1H | 4700K-1H | 4700K-1H | 4700K-1H |
| 12     | IC507     | 4700K-1H | 4700K-1H | 4700K-1H | 4700K-1H |
| 13     | IC508     | 100K     | 100K     | 100K     | 100K     |
| 14     | IC509     | 100K     | 100K     | 100K     | 100K     |
| 15     | IC510     | 100K     | 100K     | 100K     | 100K     |
| 16     | IC511     | 470      | 470      | 470      | 470      |
| 17     | IC512     | 470      | 470      | 470      | 470      |
| 18     | IC513     | 470      | 470      | 470      | 470      |
| 19     | IC514     | 470      | 470      | 470      | 470      |
| 20     | IC515     | 470      | 470      | 470      | 470      |
| 21     | IC516     | 470      | 470      | 470      | 470      |
| 22     | IC517     | 470      | 470      | 470      | 470      |
| 23     | IC518     | 470      | 470      | 470      | 470      |
| 24     | IC519     | 470      | 470      | 470      | 470      |
| 25     | IC520     | 470      | 470      | 470      | 470      |
| 26     | IC521     | 470      | 470      | 470      | 470      |
| 27     | IC522     | 470      | 470      | 470      | 470      |
| 28     | IC523     | 470      | 470      | 470      | 470      |
| 29     | IC524     | 470      | 470      | 470      | 470      |
| 30     | IC525     | 470      | 470      | 470      | 470      |

X: NOT USED  
 O: USED / APPLICABLE



NOTICE (model)

Interchangeable Parts at Manufacture Stage

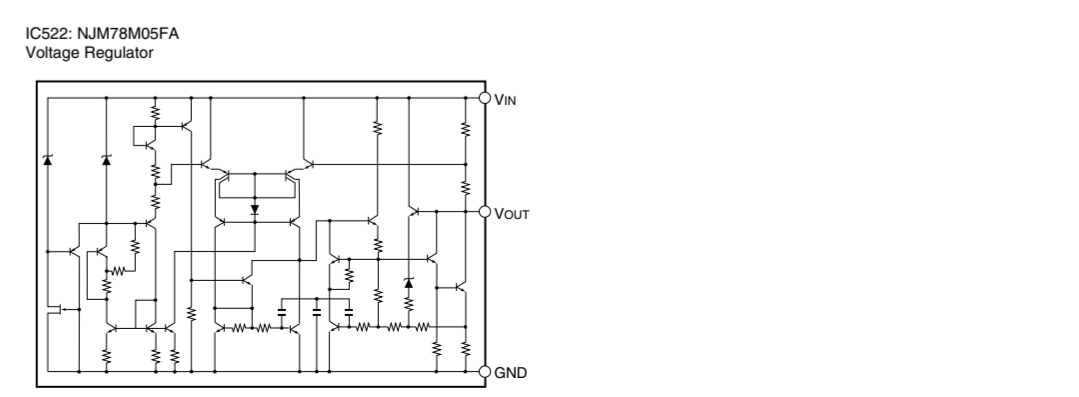
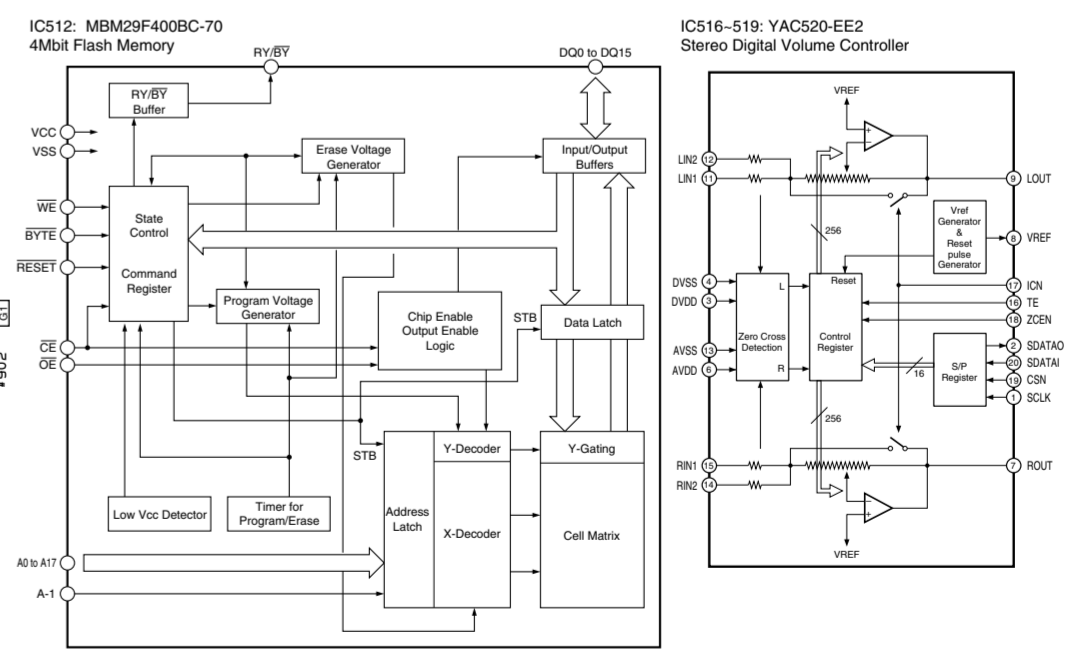
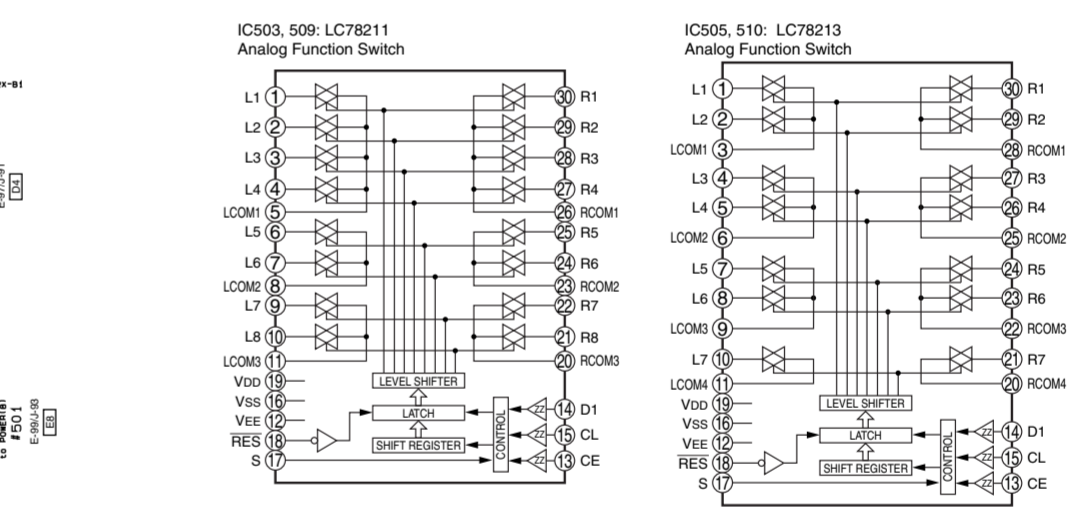
| Part No. | Part Name | Remarks |
|----------|-----------|---------|
| 1        | 10K       |         |
| 2        | 100K      |         |
| 3        | 1K        |         |
| 4        | 10K       |         |
| 5        | 100K      |         |
| 6        | 1K        |         |
| 7        | 10K       |         |
| 8        | 100K      |         |
| 9        | 1K        |         |
| 10       | 10K       |         |
| 11       | 100K      |         |
| 12       | 1K        |         |
| 13       | 10K       |         |
| 14       | 100K      |         |
| 15       | 1K        |         |
| 16       | 10K       |         |
| 17       | 100K      |         |
| 18       | 1K        |         |
| 19       | 10K       |         |
| 20       | 100K      |         |
| 21       | 1K        |         |
| 22       | 10K       |         |
| 23       | 100K      |         |
| 24       | 1K        |         |
| 25       | 10K       |         |
| 26       | 100K      |         |
| 27       | 1K        |         |
| 28       | 10K       |         |
| 29       | 100K      |         |
| 30       | 1K        |         |

RESISTOR

| Part No. | Part Name | Remarks |
|----------|-----------|---------|
| 1        | 10K       |         |
| 2        | 100K      |         |
| 3        | 1K        |         |
| 4        | 10K       |         |
| 5        | 100K      |         |
| 6        | 1K        |         |
| 7        | 10K       |         |
| 8        | 100K      |         |
| 9        | 1K        |         |
| 10       | 10K       |         |
| 11       | 100K      |         |
| 12       | 1K        |         |
| 13       | 10K       |         |
| 14       | 100K      |         |
| 15       | 1K        |         |
| 16       | 10K       |         |
| 17       | 100K      |         |
| 18       | 1K        |         |
| 19       | 10K       |         |
| 20       | 100K      |         |
| 21       | 1K        |         |
| 22       | 10K       |         |
| 23       | 100K      |         |
| 24       | 1K        |         |
| 25       | 10K       |         |
| 26       | 100K      |         |
| 27       | 1K        |         |
| 28       | 10K       |         |
| 29       | 100K      |         |
| 30       | 1K        |         |

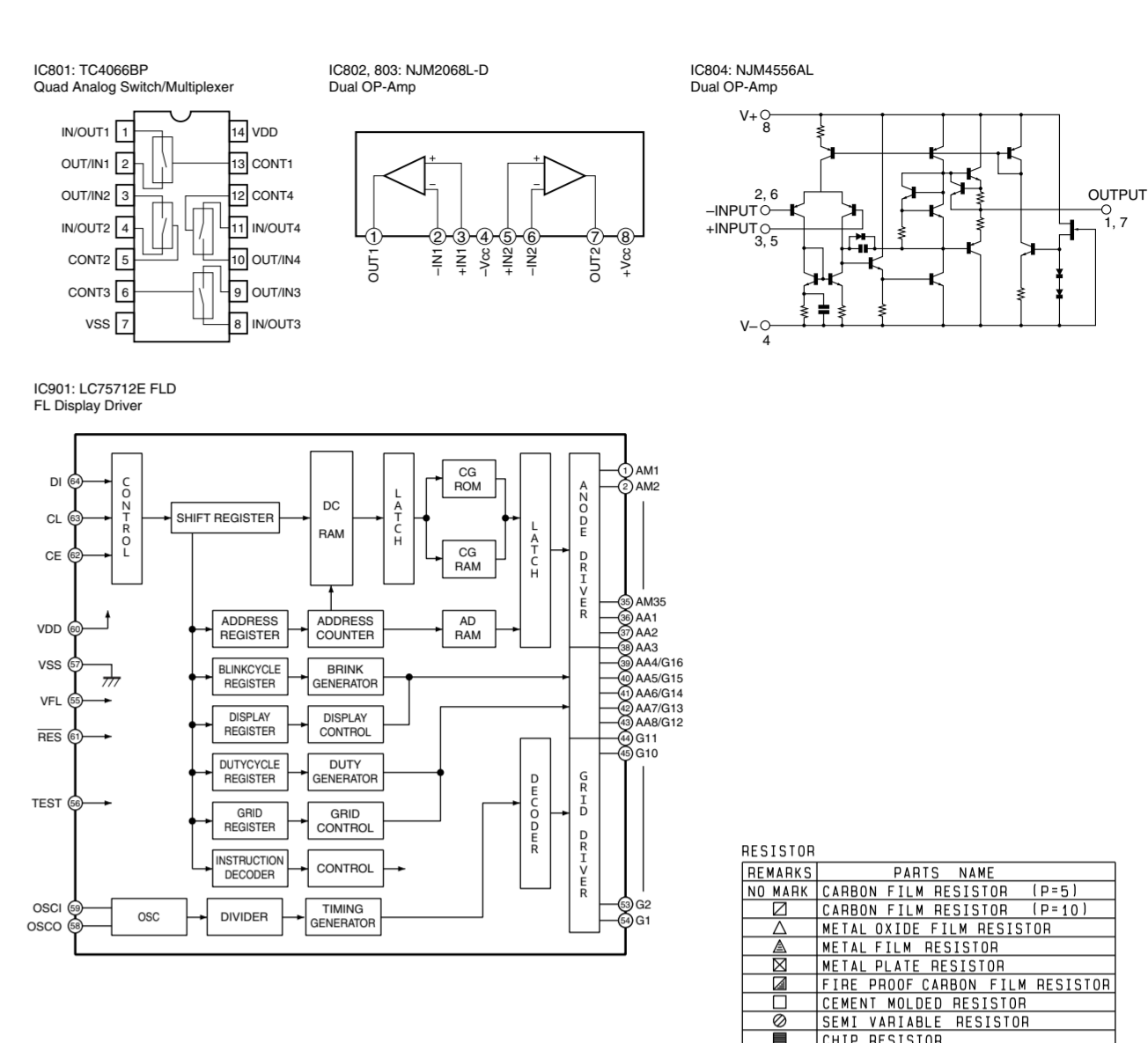
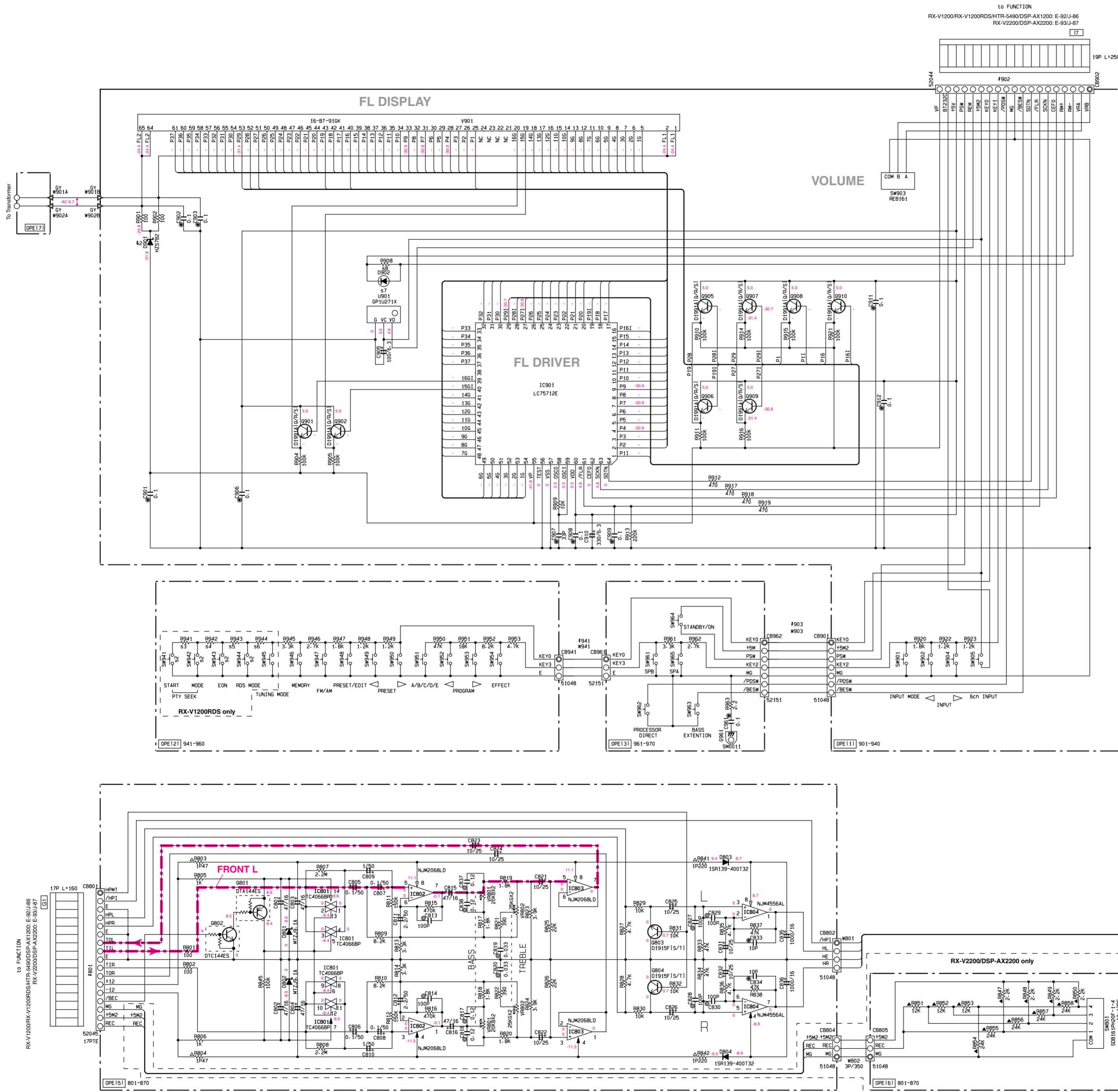
★ All voltages are measured with a 10M Ω DC electric volt meter.  
 ★ Components having special characteristics are marked Δ and must be replaced with parts having specifications equal to those originally installed.  
 ★ Schematic diagram is subject to change without notice.

● 電圧は、内部抵抗10MΩの電圧計で測定したものです。  
 ● Δ印のある部品は、安全性確保部品を示しています。部品の交換が必要な場合、パーツリストに記載されている部品を使用してください。  
 ● 本回路図は標準回路図です。改良のため予告なく変更することがございます。



■ SCHEMATIC DIAGRAM (OPERATION)

RX-V1200/RX-V1200RDS/HTR-5490/DSP-AX1200/RX-V2200/DSP-AX2200

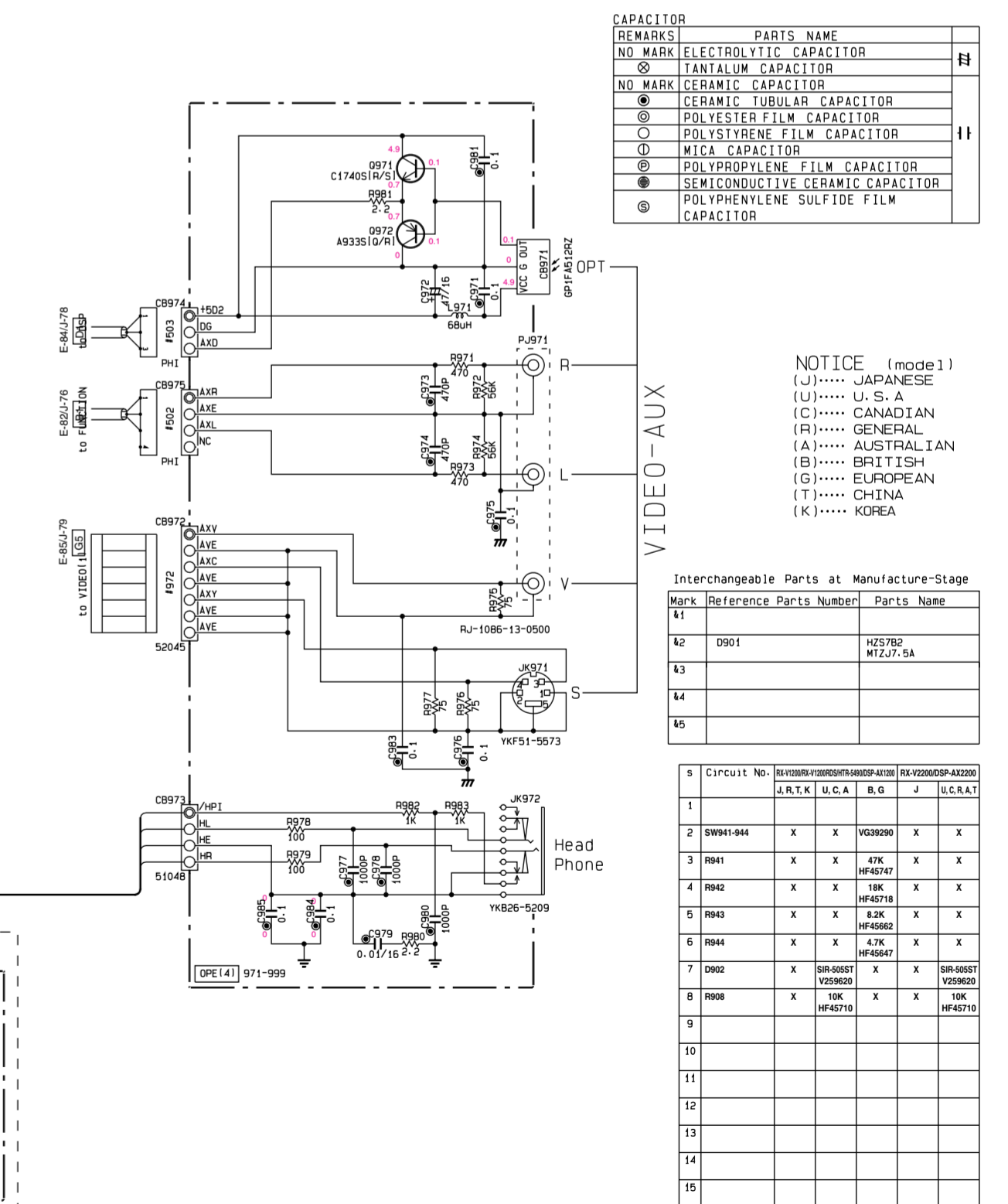


RESISTOR

| REMARKS | PARTS NAME                      |
|---------|---------------------------------|
| NO MARK | CARBON FILM RESISTOR (P=5)      |
| △       | CARBON FILM RESISTOR (P=10)     |
| □       | METAL OXIDE FILM RESISTOR       |
| ⊗       | METAL FILM RESISTOR             |
| ⊙       | FIRE PROOF CARBON FILM RESISTOR |
| ⊠       | METAL PLATE RESISTOR            |
| ⊞       | CEMENT WOLDED RESISTOR          |
| ⊚       | SEMI VARIABLE RESISTOR          |
| ■       | CHIP RESISTOR                   |

CAPACITOR

| REMARKS | PARTS NAME                           |
|---------|--------------------------------------|
| NO MARK | ELECTROLYTIC CAPACITOR               |
| ⊗       | TANTALUM CAPACITOR                   |
| NO MARK | CERAMIC CAPACITOR                    |
| ⊙       | CERAMIC TUBULAR CAPACITOR            |
| ⊚       | POLYESTER FILM CAPACITOR             |
| ⊚       | POLYSTYRENE FILM CAPACITOR           |
| ⊚       | MICA CAPACITOR                       |
| ⊚       | POLYPROPYLENE FILM CAPACITOR         |
| ⊚       | SEMICONDUCTIVE CERAMIC CAPACITOR     |
| ⊚       | POLYPHENYLENE SULFIDE FILM CAPACITOR |



NOTICE (model)  
 (J)..... JAPANESE  
 (U)..... U.S. A  
 (C)..... CANADIAN  
 (R)..... GENERAL  
 (A)..... AUSTRALIAN  
 (B)..... BRITISH  
 (T)..... CHINA  
 (K)..... KOREA

Interchangeable Parts at Manufacture-Stage

| Mark | Reference Parts Number | Parts Name      |
|------|------------------------|-----------------|
| k1   |                        |                 |
| k2   | D901                   | HZ57B2 MTJZJ-5A |
| k3   |                        |                 |
| k4   |                        |                 |
| k5   |                        |                 |

Circuit No. 15 V330R-V1200RDS/HTR-5490/DSP-AX1200 RX-V2200/DSP-AX2200

|    | J.R.T.K   | U.C.A. | B.G. | J              | U.C.R.T |
|----|-----------|--------|------|----------------|---------|
| 1  |           |        |      |                |         |
| 2  | SW941-944 | X      | X    | VG39290        | X X     |
| 3  | R941      | X      | X    | 47K HF45718    | X X     |
| 4  | R942      | X      | X    | 18K HF45718    | X X     |
| 5  | R943      | X      | X    | 8.2K HF45662   | X X     |
| 6  | R944      | X      | X    | 4.7K HF45667   | X X     |
| 7  | D902      | X      | X    | SR-0057 V20960 | X X     |
| 8  | R908      | X      | X    | 10K HF45710    | X X     |
| 9  |           |        |      |                |         |
| 10 |           |        |      |                |         |
| 11 |           |        |      |                |         |
| 12 |           |        |      |                |         |
| 13 |           |        |      |                |         |
| 14 |           |        |      |                |         |
| 15 |           |        |      |                |         |

X: NOT USED  
 O: USED / APPLICABLE

\* All voltages are measured with a 10M $\Omega$  /V DC electric volt meter.  
 \* Components having special characteristics are marked  $\Delta$  and must be replaced with parts having specifications equal to those originally installed.  
 \* Schematic diagram is subject to change without notice.

● 電圧は、内部抵抗10M $\Omega$ の電圧計で測定したものです。  
 ●  $\Delta$ 印のある部品は、安全性確保部品を示しています。部品の交換が必要な場合、パーツリストに記載されている部品を使用してください。  
 ● 本回路図は標準回路図です。改良のため予告なく変更することがございます。

RX-V1200/RX-V1200RDS/HTR-5490/DSP-AX1200/RX-V2200/DSP-AX2200  
**SCHEMATIC DIAGRAM (DSP)**

Interchangeable Parts at Manufacture-Stage

| Mark | Reference Parts Number | Parts Name        |
|------|------------------------|-------------------|
| A1   | 0508-810-817           | 25C33061A/B1      |
| A2   | IC013                  | U1000004W         |
| A3   | IC015                  | N1000040          |
| A4   | IC028                  | MBM29F400C-70PPTN |

NOTICE (model)

- (J) JAPANESE
- (U) U.S.A.
- (C) CANADIAN
- (R) GENERAL
- (A) AUSTRALIAN
- (B) BRITISH
- (T) EUROPEAN
- (G) CHINA
- (K) KOREA

RESISTOR

| REMARKS | PARTS NAME                      |
|---------|---------------------------------|
| NO MARK | CARBON FILM RESISTOR (P=5)      |
| △       | CARBON FILM RESISTOR (P=10)     |
| ▲       | METAL OXIDE FILM RESISTOR       |
| □       | METAL FILM RESISTOR             |
| ⊖       | METAL PLATE RESISTOR            |
| ○       | FINE PITCH CARBON FILM RESISTOR |
| ◎       | CEMENT MOLDED RESISTOR          |
| ⊕       | SEMI VARIABLE RESISTOR          |
| ⊙       | CHIP RESISTOR                   |

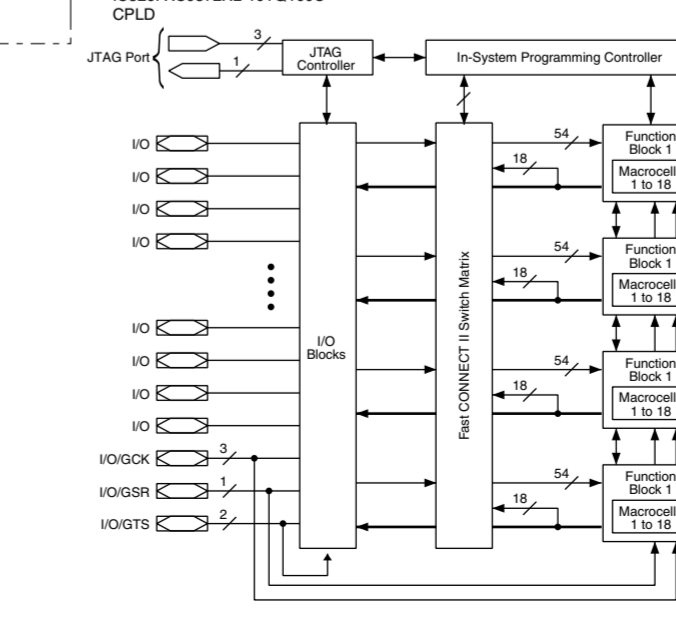
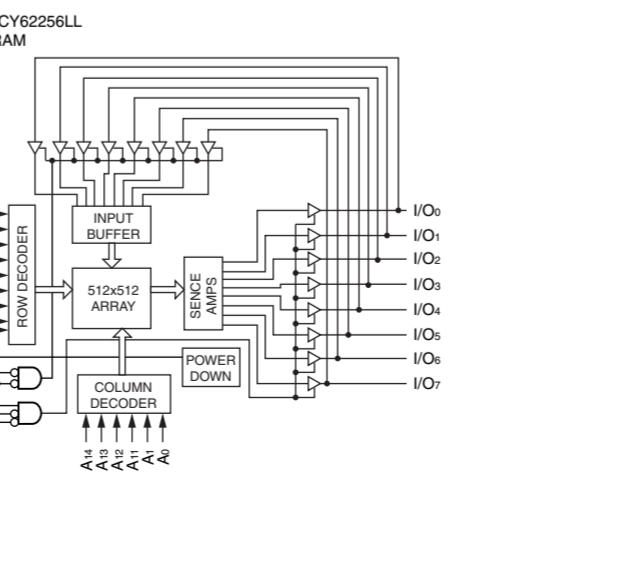
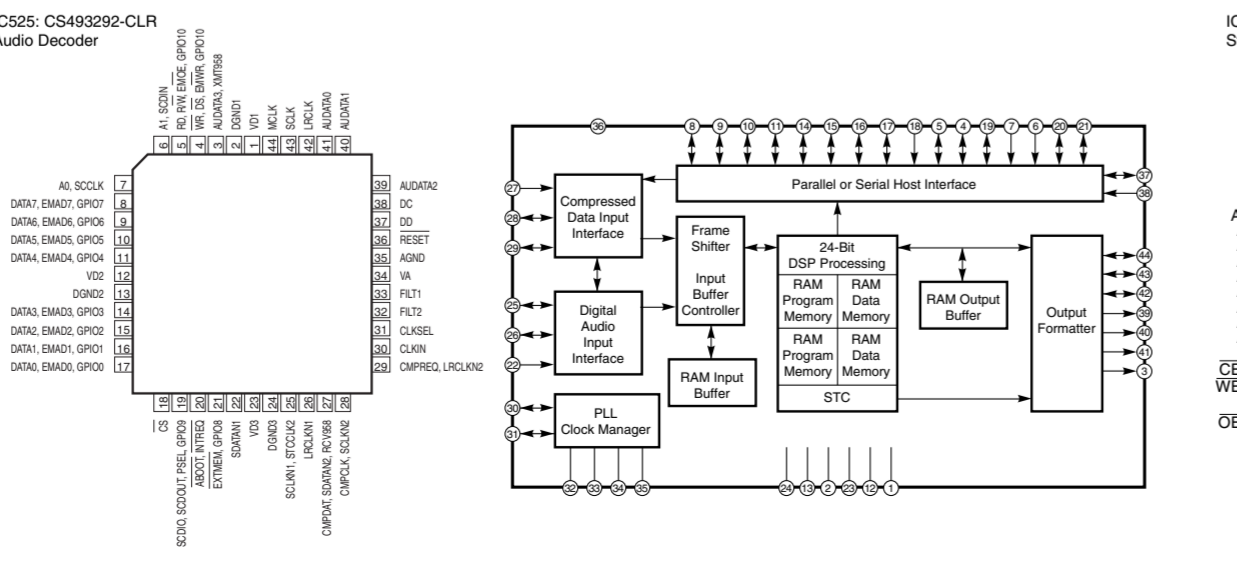
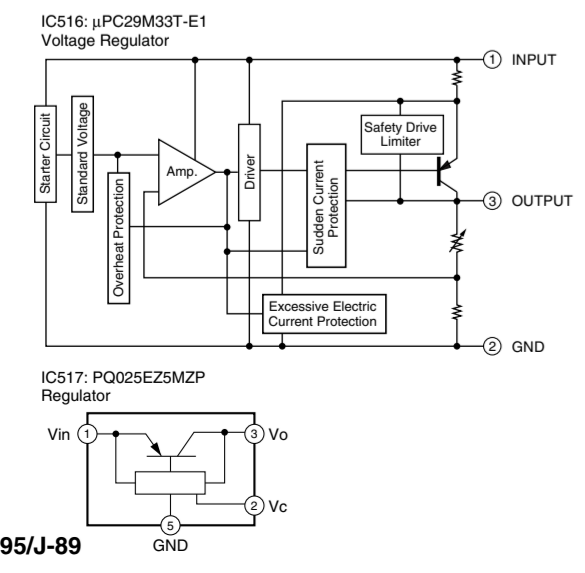
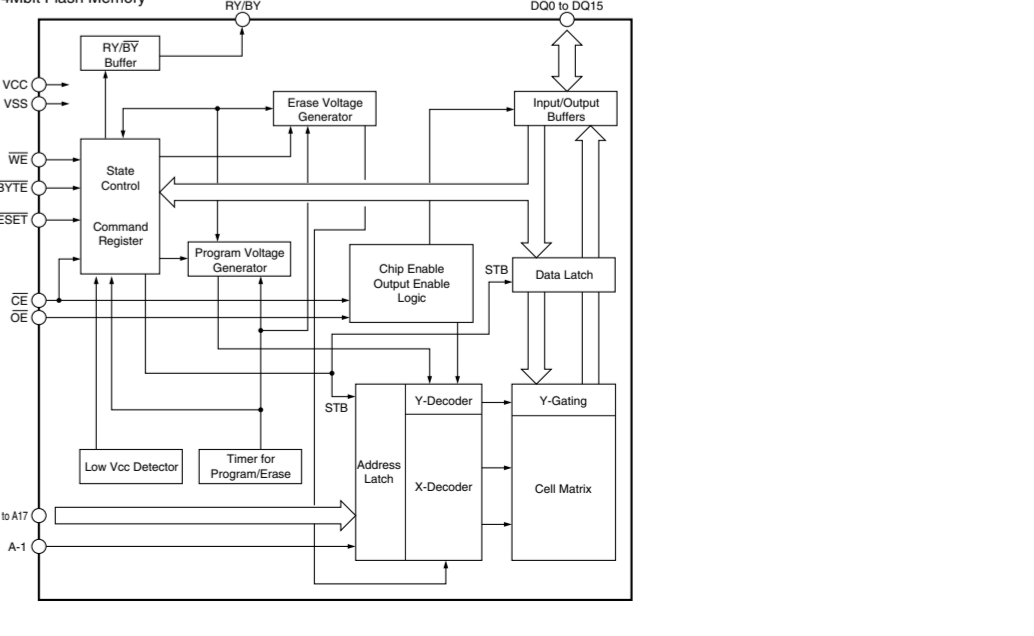
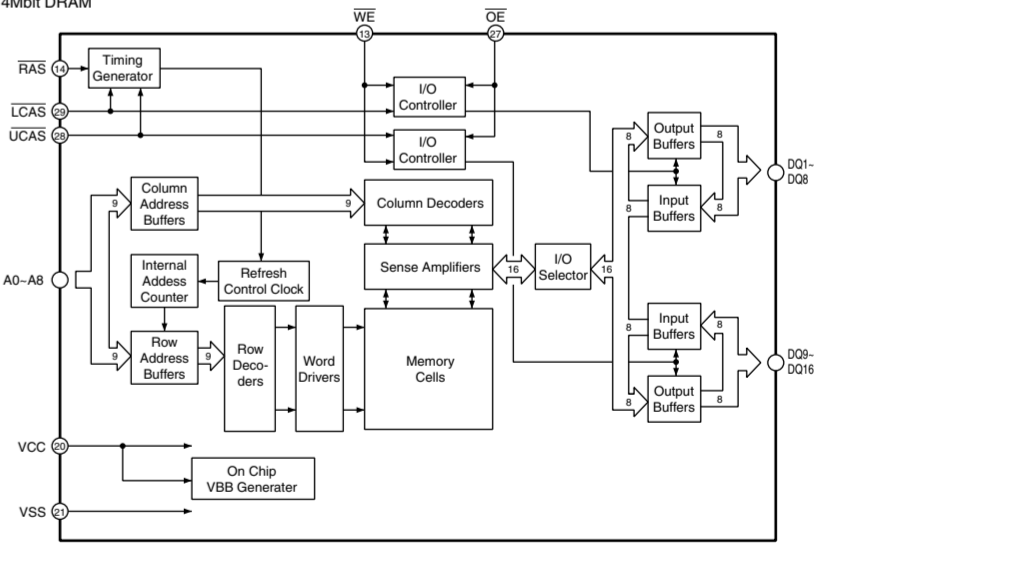
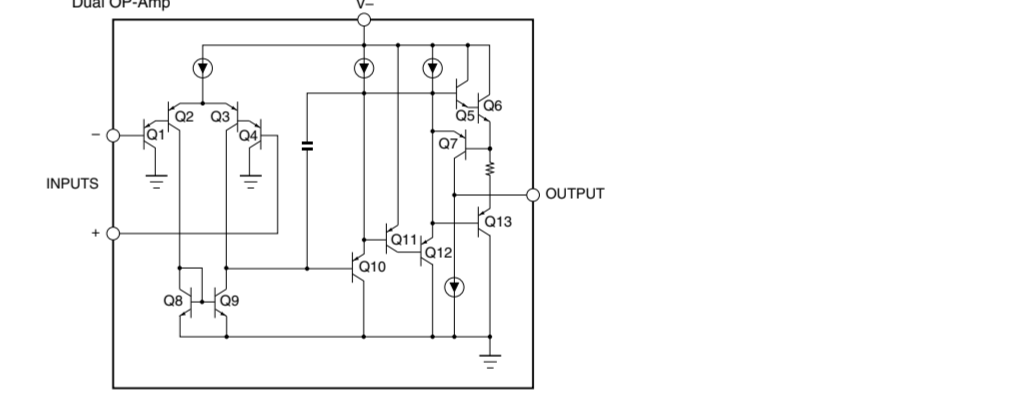
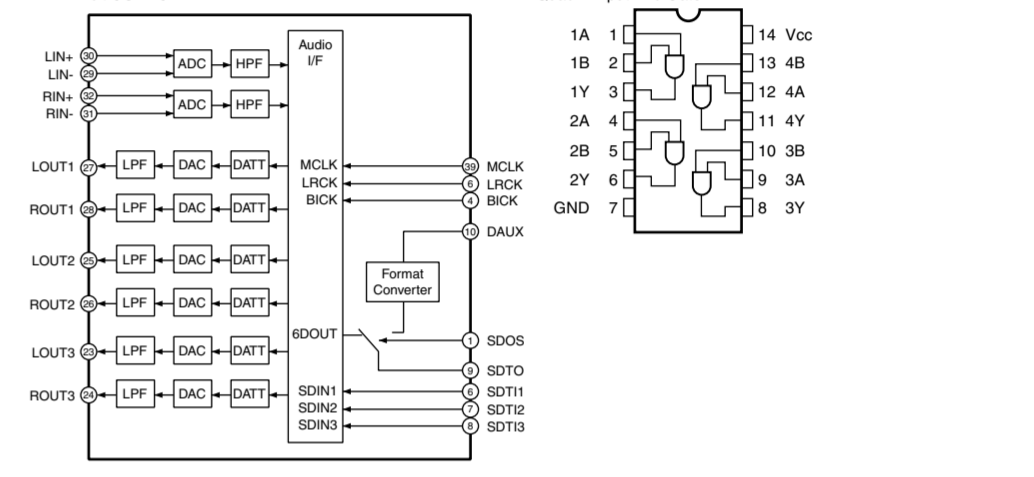
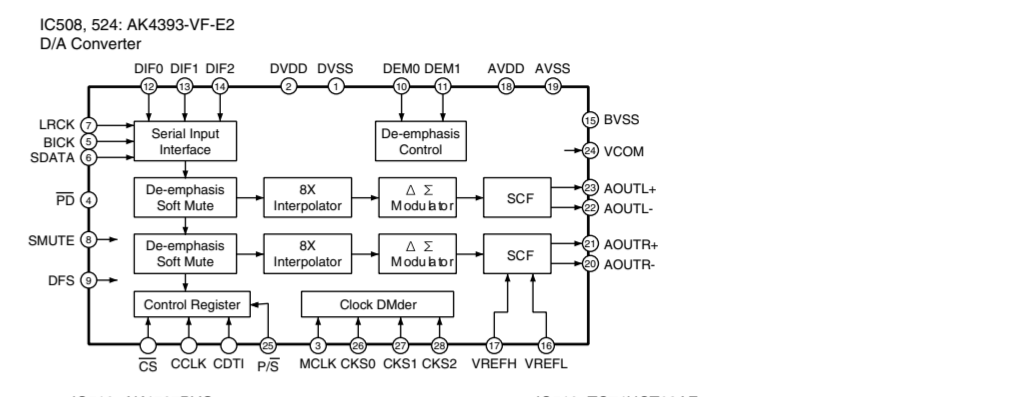
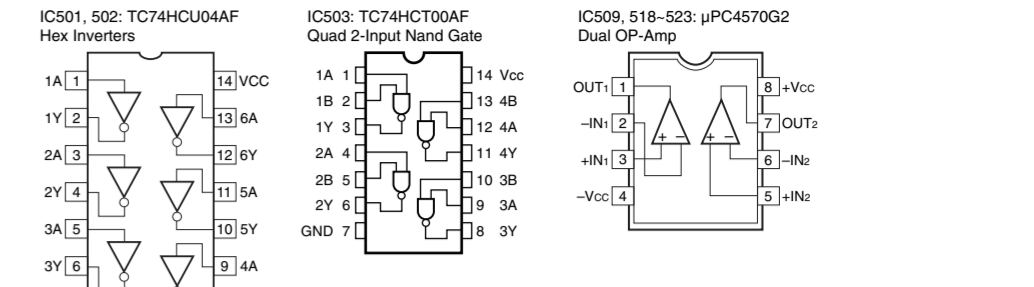
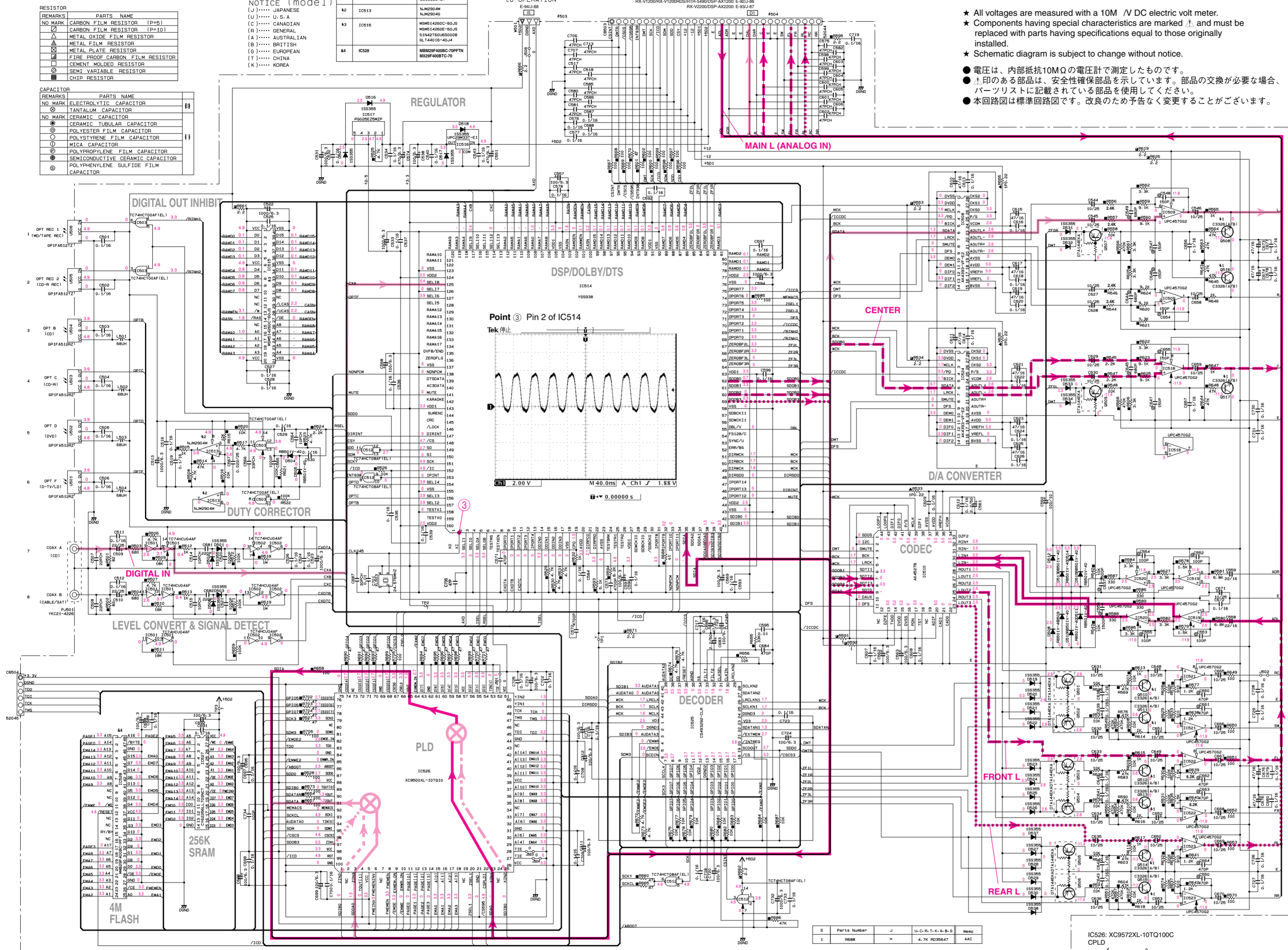
CAPACITOR

| REMARKS | PARTS NAME                          |
|---------|-------------------------------------|
| NO MARK | ELECTROLYTIC CAPACITOR              |
| ⊖       | TANTALUM CAPACITOR                  |
| ⊙       | CERAMIC CAPACITOR                   |
| ⊕       | CERAMIC TUBULAR CAPACITOR           |
| ⊖       | POLYESTER FILM CAPACITOR            |
| ○       | MICA CAPACITOR                      |
| ⊕       | POLYPROPYLENE FILM CAPACITOR        |
| ⊙       | SEMICONDUCTIVE CERAMIC CAPACITOR    |
| ⊖       | POLYBUTYLENE SULFIDE FILM CAPACITOR |

to OPERATION

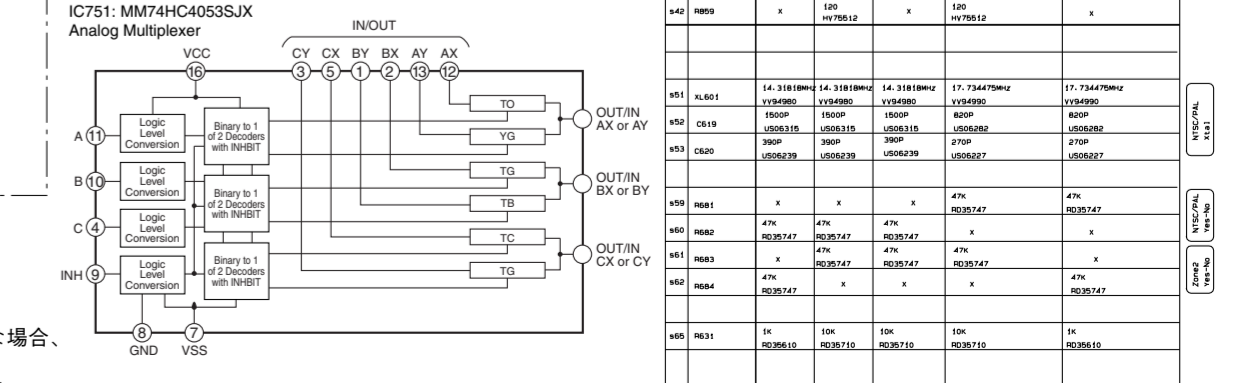
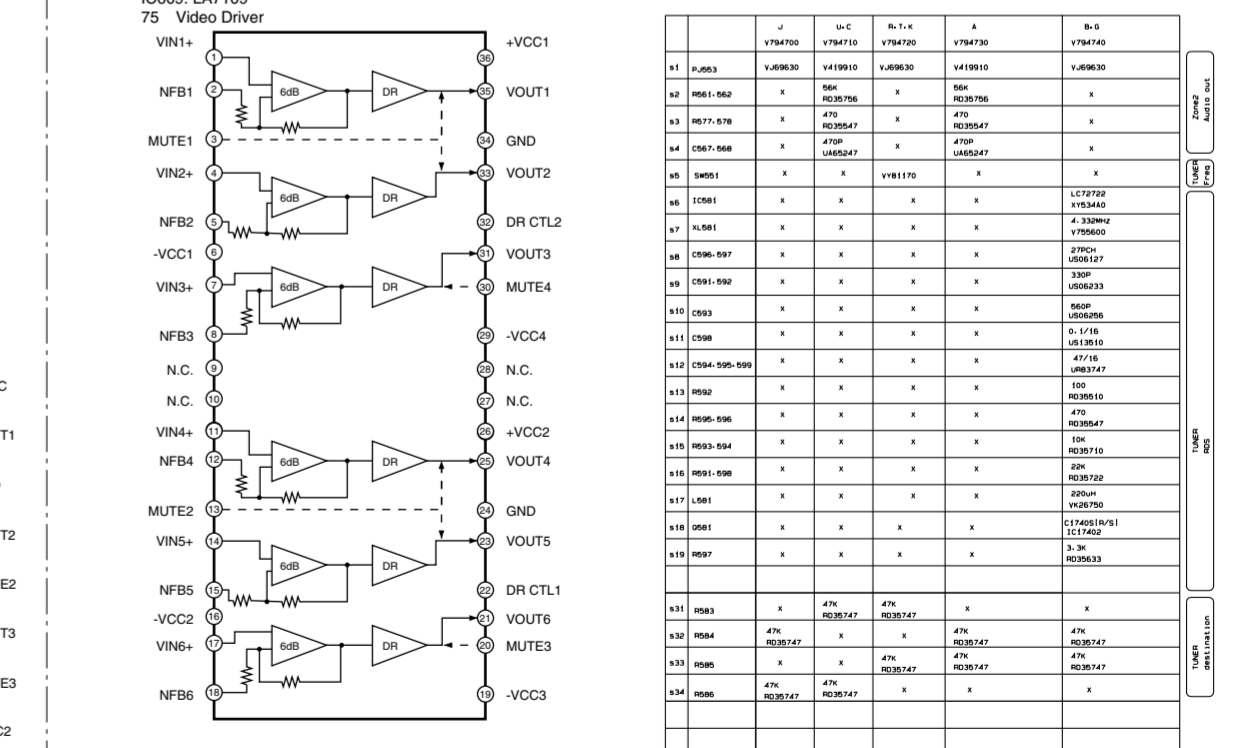
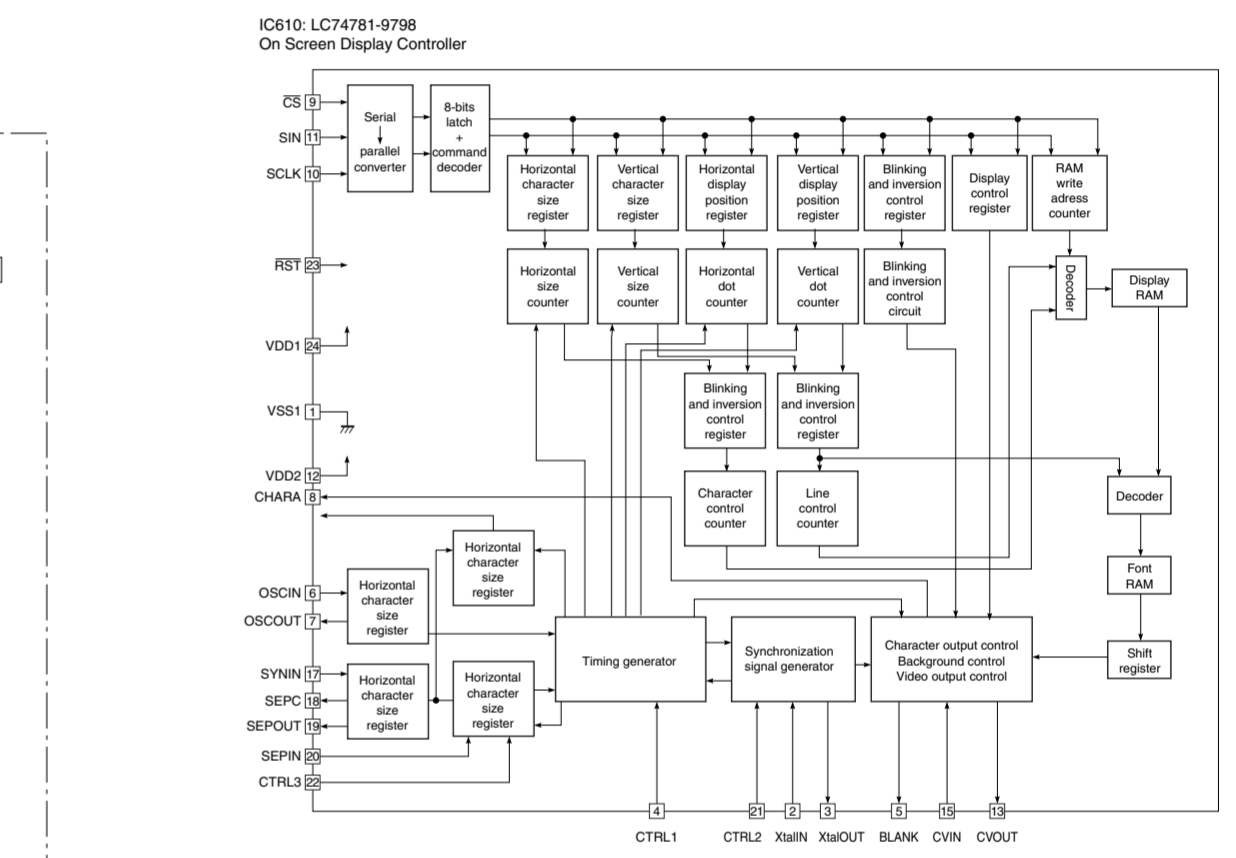
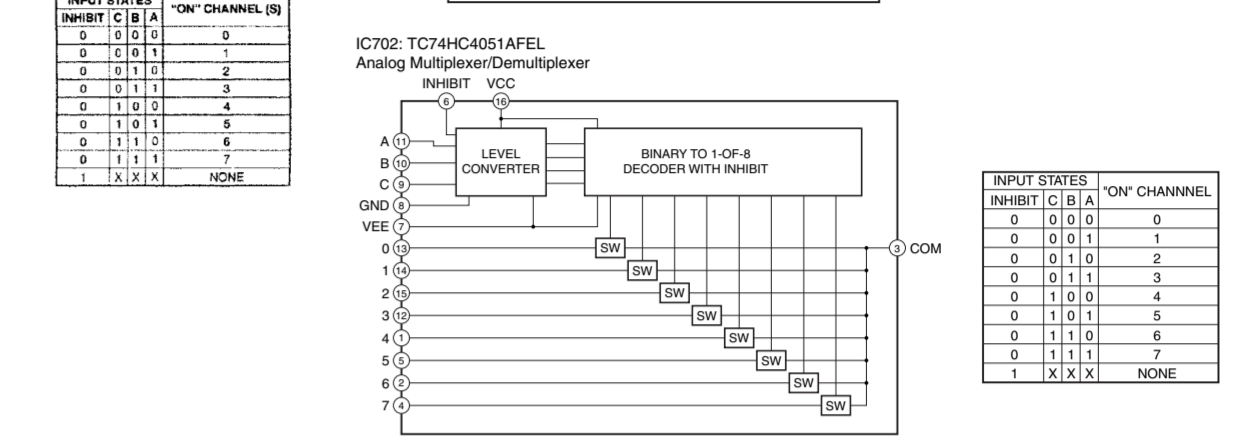
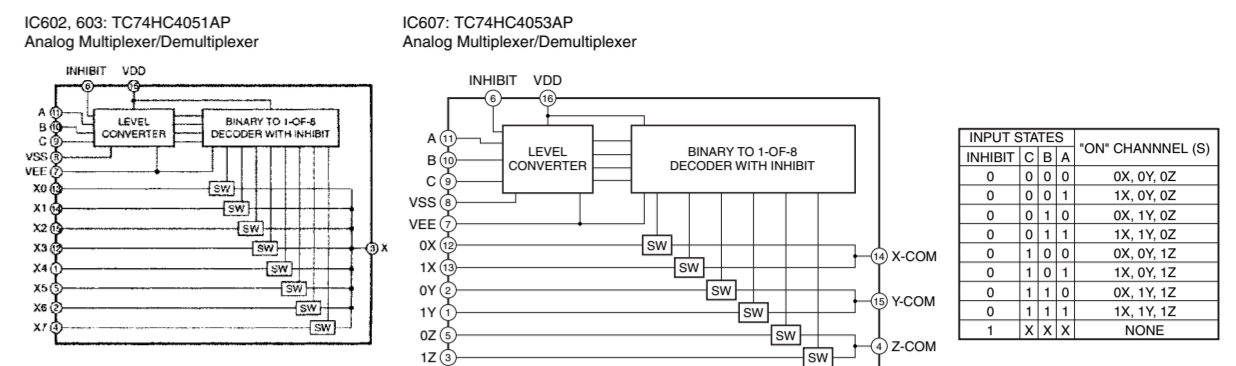
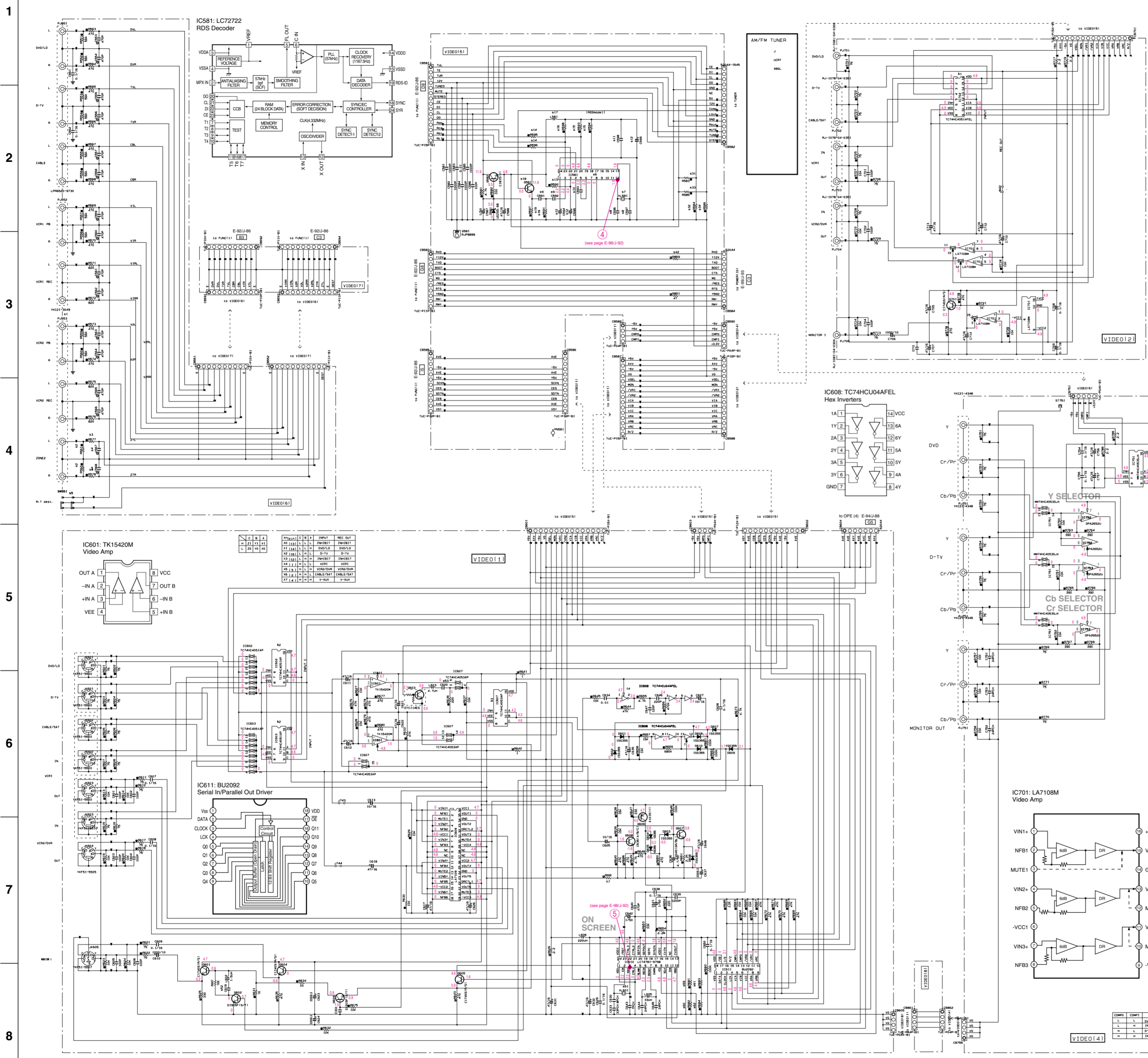
to FUNCTION

- ★ All voltages are measured with a 10M Ω DC electric volt meter.
- ★ Components having special characteristics are marked ▲ and must be replaced with parts having specifications equal to those originally installed.
- ★ Schematic diagram is subject to change without notice.
- 電圧は、内部抵抗10MΩの電圧計で測定したものです。
- ▲印のある部品は、安全性確保部品を示しています。部品の交換が必要な場合、パーツリストに記載されている部品を使用してください。
- 本回路図は標準回路図です。改良のため予告なく変更することがございます。



■ SCHEMATIC DIAGRAM (RX-V1200/RX-V1200RDS/HTR-5490/DSP-AX1200 VIDEO)

RX-V1200/RX-V1200RDS/HTR-5490/DSP-AX1200/RX-V2200/DSP-AX2200



NOT USED  
USED / APPLICABLE

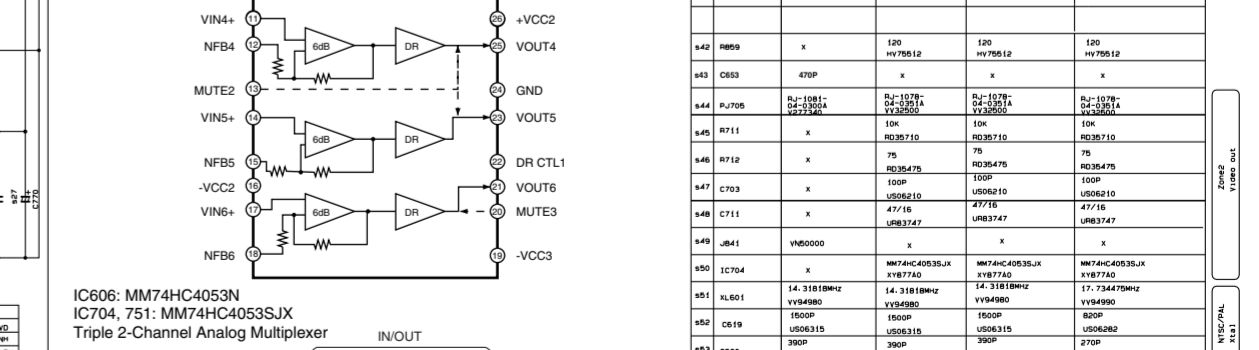
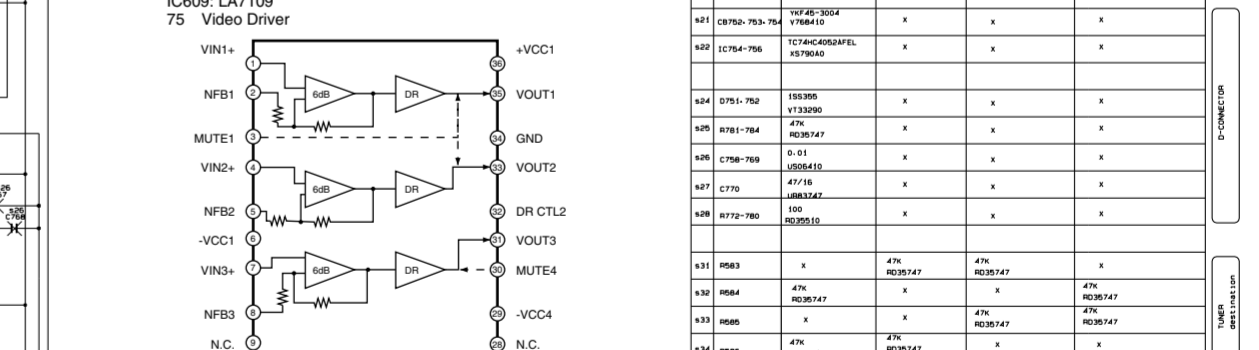
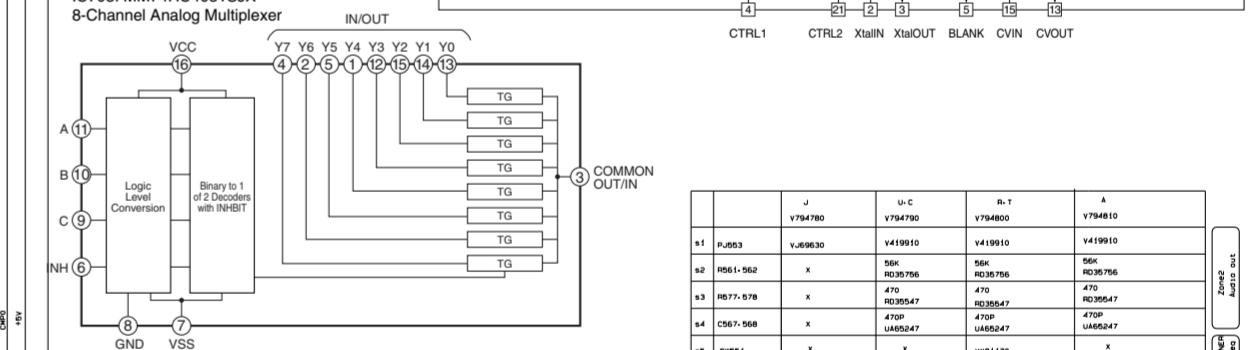
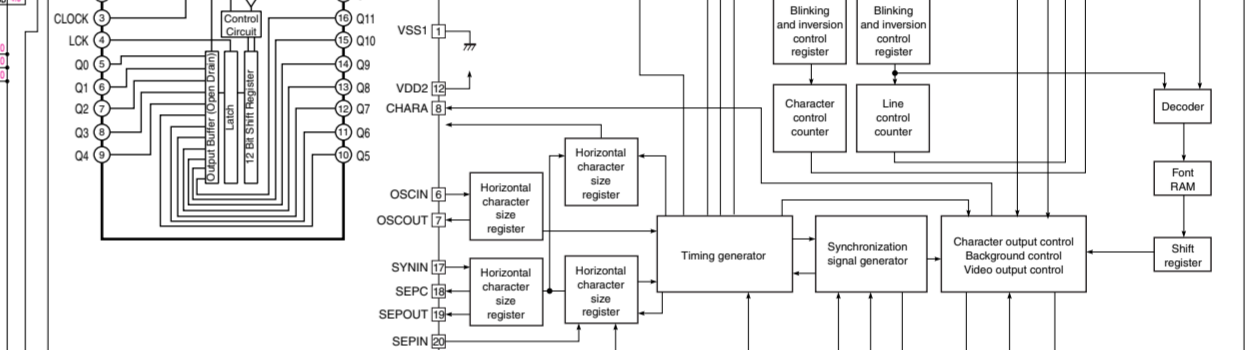
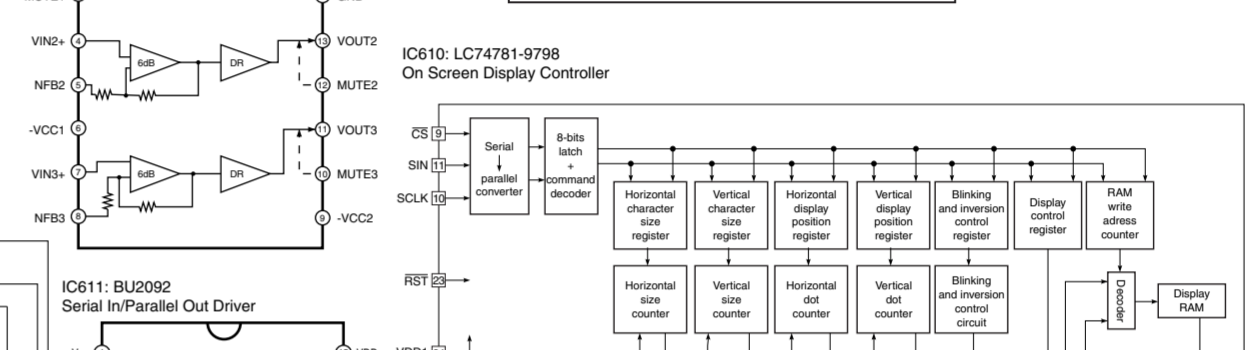
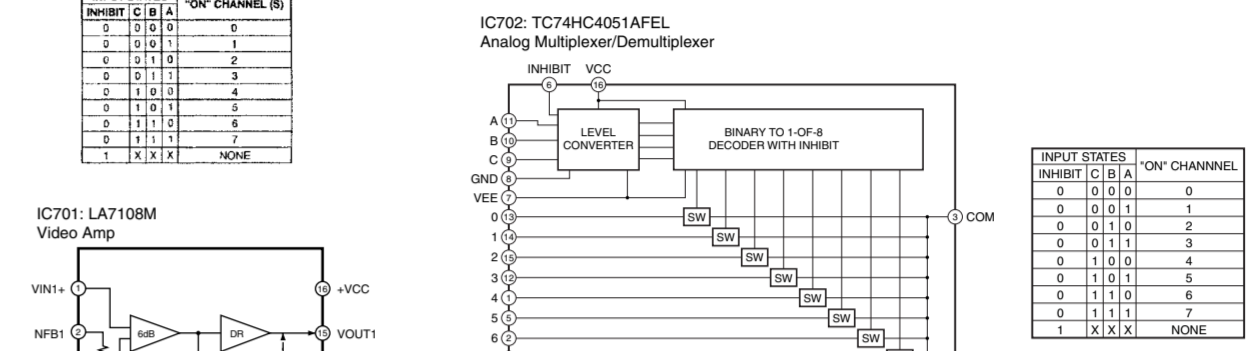
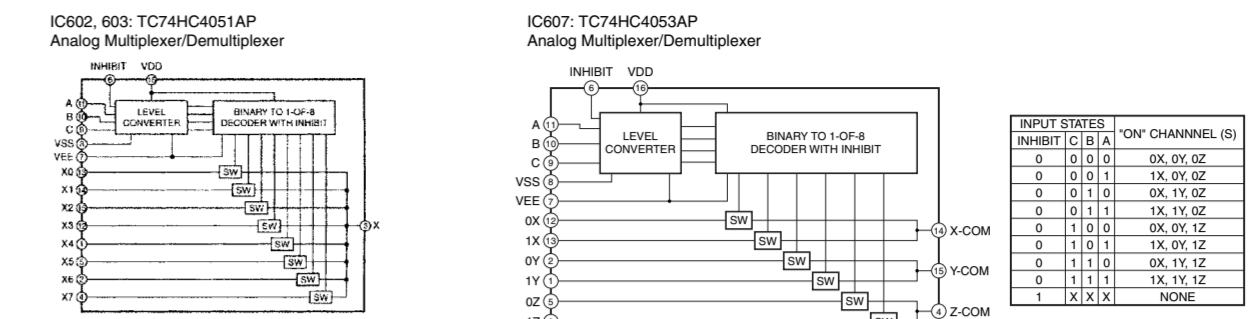
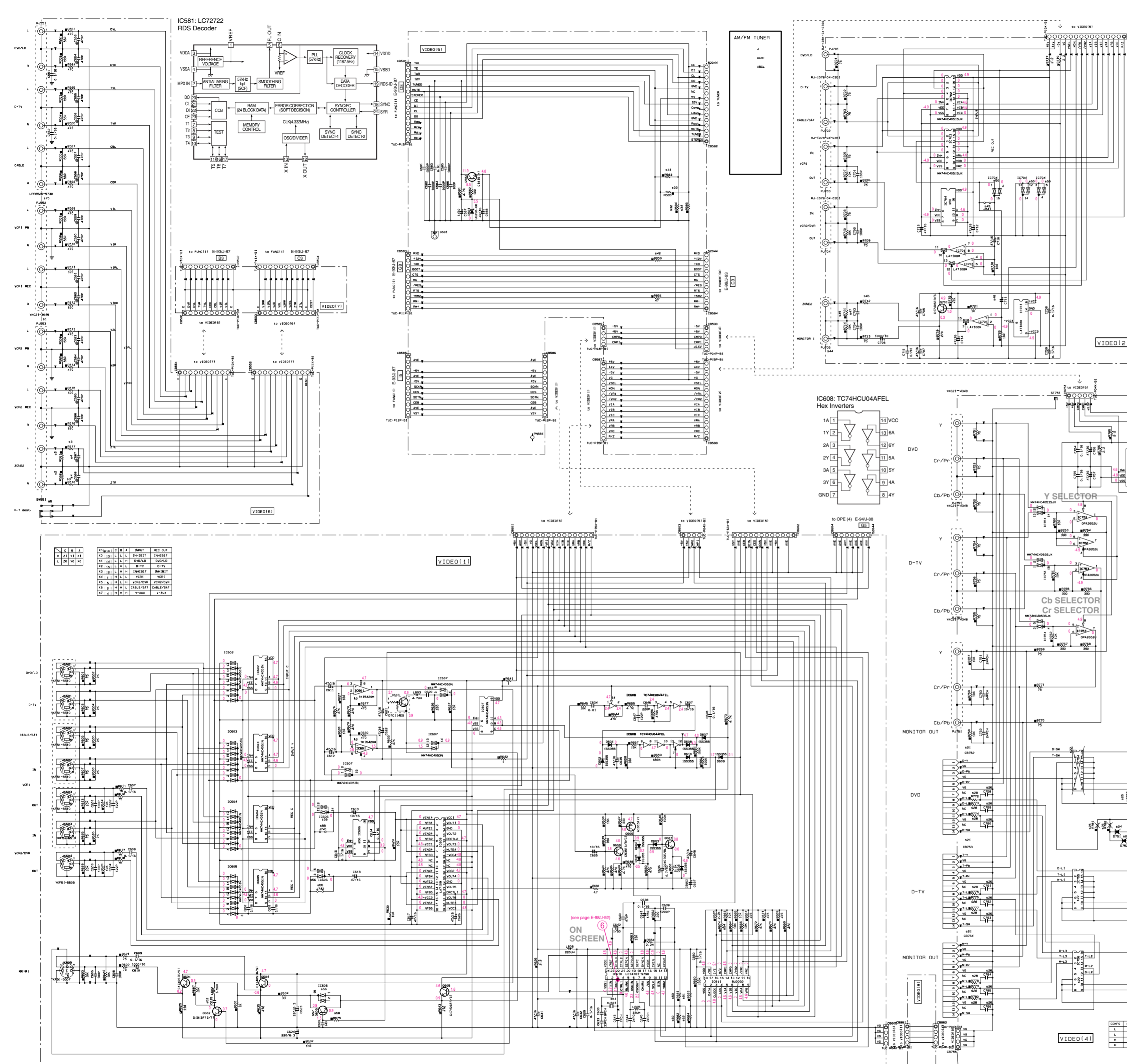
IC601: TK15420M Video Amp

| Pin | Symbol | Function              |
|-----|--------|-----------------------|
| 1   | OUT A  | Output A              |
| 2   | -IN A  | Inverting Input A     |
| 3   | +IN A  | Non-inverting Input A |
| 4   | VEE    | Power Supply          |
| 5   | +IN B  | Non-inverting Input B |
| 6   | -IN B  | Inverting Input B     |
| 7   | OUT B  | Output B              |
| 8   | VCC    | Power Supply          |

IC611: BU2092 Serial In/Parallel Out Driver

| Pin | Symbol | Function     |
|-----|--------|--------------|
| 1   | VDD    | Power Supply |
| 2   | DATA   | Data Input   |
| 3   | CLOCK  | Clock Input  |
| 4   | LOCK   | Lock Input   |
| 5   | Q0     | Output 0     |
| 6   | Q1     | Output 1     |
| 7   | Q2     | Output 2     |
| 8   | Q3     | Output 3     |
| 9   | Q4     | Output 4     |
| 10  | Q5     | Output 5     |
| 11  | Q6     | Output 6     |
| 12  | Q7     | Output 7     |
| 13  | Q8     | Output 8     |
| 14  | Q9     | Output 9     |
| 15  | Q10    | Output 10    |
| 16  | Q11    | Output 11    |
| 17  | Q12    | Output 12    |
| 18  | Q13    | Output 13    |
| 19  | Q14    | Output 14    |
| 20  | Q15    | Output 15    |
| 21  | Q16    | Output 16    |
| 22  | Q17    | Output 17    |
| 23  | Q18    | Output 18    |
| 24  | Q19    | Output 19    |
| 25  | Q20    | Output 20    |
| 26  | Q21    | Output 21    |
| 27  | Q22    | Output 22    |
| 28  | Q23    | Output 23    |
| 29  | Q24    | Output 24    |
| 30  | Q25    | Output 25    |
| 31  | Q26    | Output 26    |
| 32  | Q27    | Output 27    |
| 33  | Q28    | Output 28    |
| 34  | Q29    | Output 29    |
| 35  | Q30    | Output 30    |
| 36  | Q31    | Output 31    |
| 37  | Q32    | Output 32    |
| 38  | Q33    | Output 33    |
| 39  | Q34    | Output 34    |
| 40  | Q35    | Output 35    |
| 41  | Q36    | Output 36    |
| 42  | Q37    | Output 37    |
| 43  | Q38    | Output 38    |
| 44  | Q39    | Output 39    |
| 45  | Q40    | Output 40    |
| 46  | Q41    | Output 41    |
| 47  | Q42    | Output 42    |
| 48  | Q43    | Output 43    |
| 49  | Q44    | Output 44    |
| 50  | Q45    | Output 45    |
| 51  | Q46    | Output 46    |
| 52  | Q47    | Output 47    |
| 53  | Q48    | Output 48    |
| 54  | Q49    | Output 49    |
| 55  | Q50    | Output 50    |
| 56  | Q51    | Output 51    |
| 57  | Q52    | Output 52    |
| 58  | Q53    | Output 53    |
| 59  | Q54    | Output 54    |
| 60  | Q55    | Output 55    |
| 61  | Q56    | Output 56    |
| 62  | Q57    | Output 57    |
| 63  | Q58    | Output 58    |
| 64  | Q59    | Output 59    |
| 65  | Q60    | Output 60    |
| 66  | Q61    | Output 61    |
| 67  | Q62    | Output 62    |
| 68  | Q63    | Output 63    |
| 69  | Q64    | Output 64    |
| 70  | Q65    | Output 65    |
| 71  | Q66    | Output 66    |
| 72  | Q67    | Output 67    |
| 73  | Q68    | Output 68    |
| 74  | Q69    | Output 69    |
| 75  | Q70    | Output 70    |
| 76  | Q71    | Output 71    |
| 77  | Q72    | Output 72    |
| 78  | Q73    | Output 73    |
| 79  | Q74    | Output 74    |
| 80  | Q75    | Output 75    |
| 81  | Q76    | Output 76    |
| 82  | Q77    | Output 77    |
| 83  | Q78    | Output 78    |
| 84  | Q79    | Output 79    |
| 85  | Q80    | Output 80    |
| 86  | Q81    | Output 81    |
| 87  | Q82    | Output 82    |
| 88  | Q83    | Output 83    |
| 89  | Q84    | Output 84    |
| 90  | Q85    | Output 85    |
| 91  | Q86    | Output 86    |
| 92  | Q87    | Output 87    |
| 93  | Q88    | Output 88    |
| 94  | Q89    | Output 89    |
| 95  | Q90    | Output 90    |
| 96  | Q91    | Output 91    |
| 97  | Q92    | Output 92    |
| 98  | Q93    | Output 93    |
| 99  | Q94    | Output 94    |
| 100 | Q95    | Output 95    |
| 101 | Q96    | Output 96    |
| 102 | Q97    | Output 97    |
| 103 | Q98    | Output 98    |
| 104 | Q99    | Output 99    |
| 105 | Q100   | Output 100   |
| 106 | Q101   | Output 101   |
| 107 | Q102   | Output 102   |
| 108 | Q103   | Output 103   |
| 109 | Q104   | Output 104   |
| 110 | Q105   | Output 105   |
| 111 | Q106   | Output 106   |
| 112 | Q107   | Output 107   |
| 113 | Q108   | Output 108   |
| 114 | Q109   | Output 109   |
| 115 | Q110   | Output 110   |
| 116 | Q111   | Output 111   |
| 117 | Q112   | Output 112   |
| 118 | Q113   | Output 113   |
| 119 | Q114   | Output 114   |
| 120 | Q115   | Output 115   |
| 121 | Q116   | Output 116   |
| 122 | Q117   | Output 117   |
| 123 | Q118   | Output 118   |
| 124 | Q119   | Output 119   |
| 125 | Q120   | Output 120   |
| 126 | Q121   | Output 121   |
| 127 | Q122   | Output 122   |
| 128 | Q123   | Output 123   |
| 129 | Q124   | Output 124   |
| 130 | Q125   | Output 125   |
| 131 | Q126   | Output 126   |
| 132 | Q127   | Output 127   |
| 133 | Q128   | Output 128   |
| 134 | Q129   | Output 129   |
| 135 | Q130   | Output 130   |
| 136 | Q131   | Output 131   |
| 137 | Q132   | Output 132   |
| 138 | Q133   | Output 133   |
| 139 | Q134   | Output 134   |
| 140 | Q135   | Output 135   |
| 141 | Q136   | Output 136   |
| 142 | Q137   | Output 137   |
| 143 | Q138   | Output 138   |
| 144 | Q139   | Output 139   |
| 145 | Q140   | Output 140   |
| 146 | Q141   | Output 141   |
| 147 | Q142   | Output 142   |
| 148 | Q143   | Output 143   |
| 149 | Q144   | Output 144   |
| 150 | Q145   | Output 145   |
| 151 | Q146   | Output 146   |
| 152 | Q147   | Output 147   |
| 153 | Q148   | Output 148   |
| 154 | Q149   | Output 149   |
| 155 | Q150   | Output 150   |
| 156 | Q151   | Output 151   |
| 157 | Q152   | Output 152   |
| 158 | Q153   | Output 153   |
| 159 | Q154   | Output 154   |
| 160 | Q155   | Output 155   |
| 161 | Q156   | Output 156   |
| 162 | Q157   | Output 157   |
| 163 | Q158   | Output 158   |
| 164 | Q159   | Output 159   |
| 165 | Q160   | Output 160   |
| 166 | Q161   | Output 161   |
| 167 | Q162   | Output 162   |
| 168 | Q163   | Output 163   |
| 169 | Q164   | Output 164   |
| 170 | Q165   | Output 165   |
| 171 | Q166   | Output 166   |
| 172 | Q167   | Output 167   |
| 173 | Q168   | Output 168   |
| 174 | Q169   | Output 169   |
| 175 | Q170   | Output 170   |
| 176 | Q171   | Output 171   |
| 177 | Q172   | Output 172   |
| 178 | Q173   | Output 173   |
| 179 | Q174   | Output 174   |
| 180 | Q175   | Output 175   |
| 181 | Q176   | Output 176   |
| 182 | Q177   | Output 177   |
| 183 | Q178   | Output 178   |
| 184 | Q179   | Output 179   |
| 185 | Q180   | Output 180   |
| 186 | Q181   | Output 181   |
| 187 | Q182   | Output 182   |
| 188 | Q183   | Output 183   |
| 189 | Q184   | Output 184   |
| 190 | Q185   | Output 185   |
| 191 | Q186   | Output 186   |
| 192 | Q187   | Output 187   |
| 193 | Q188   | Output 188   |
| 194 | Q189   | Output 189   |
| 195 | Q190   | Output 190   |
| 196 | Q191   | Output 191   |
| 197 | Q192   | Output 192   |
| 198 | Q193   | Output 193   |
| 199 | Q194   | Output 194   |
| 200 | Q195   | Output 195   |
| 201 | Q196   | Output 196   |
| 202 | Q197   | Output 197   |
| 203 | Q198   | Output 198   |
| 204 | Q199   | Output 199   |
| 205 | Q200   | Output 200   |
| 206 | Q201   | Output 201   |
| 207 | Q202   | Output 202   |
| 208 | Q203   | Output 203   |
| 209 | Q204   | Output 204   |
| 210 | Q205   | Output 205   |
| 211 | Q206   | Output 206   |
| 212 | Q207   | Output 207   |
| 213 | Q208   | Output 208   |
| 214 | Q209   | Output 209   |
| 215 | Q210   | Output 210   |
| 216 | Q211   | Output 211   |
| 217 | Q212   | Output 212   |
| 218 | Q213   | Output 213   |
| 219 | Q214   | Output 214   |
| 220 | Q215   | Output 215   |
| 221 | Q216   | Output 216   |
| 222 | Q217   | Output 217   |
| 223 | Q218   | Output 218   |
| 224 | Q219   | Output 219   |
| 225 | Q220   | Output 220   |
| 226 | Q221   | Output 221   |
| 227 | Q222   | Output 222   |
| 228 | Q223   | Output 223   |
| 229 | Q224   | Output 224   |
| 230 | Q225   | Output 225   |
| 231 | Q226   | Output 226   |
| 232 | Q227   | Output 227   |
| 233 | Q228   | Output 228   |
| 234 | Q229   | Output 229   |
| 235 | Q230   | Output 230   |
| 236 | Q231   | Output 231   |
| 237 | Q232   | Output 232   |
| 238 | Q233   | Output 233   |
| 239 | Q234   | Output 234   |
| 240 | Q235   | Output 235   |
| 241 | Q236   | Output 236   |
| 242 | Q237   | Output 237   |
| 243 | Q238   | Output 238   |
| 244 | Q239   | Output 239   |
| 245 | Q240   | Output 240   |
| 246 | Q241   | Output 241   |
| 247 | Q242   | Output 242   |
| 248 | Q243   | Output 243   |
| 249 | Q244   | Output 244   |
| 250 | Q245   | Output 245   |
| 251 | Q246   | Output 246   |
| 252 | Q247   | Output 247   |
| 253 | Q248   | Output 248   |
| 254 | Q249   | Output 249   |
| 255 | Q250   | Output 250   |
| 256 | Q251   | Output 251   |
| 257 | Q252   | Output 252   |
| 258 | Q253   | Output 253   |
| 259 | Q254   | Output 254   |
| 260 | Q255   | Output 255   |
| 261 | Q256   | Output 256   |
| 262 | Q257   | Output 257   |
| 263 | Q258   | Output 258   |
| 264 | Q259   | Output 259   |
| 265 | Q260   | Output 260   |
| 266 | Q261   | Output 261   |
| 267 | Q262   | Output 262   |
| 268 | Q263   | Output 263   |
| 269 | Q264   | Output 264   |
| 270 | Q265   | Output 265   |
| 271 | Q266   | Output 266   |
| 272 | Q267   | Output 267   |
| 273 | Q268   | Output 268   |
| 274 | Q269   | Output 269   |
| 275 | Q270   | Output 270   |
| 276 | Q271   | Output 271   |
| 277 | Q272   | Output 272   |
| 278 | Q273   | Output 273   |
| 279 | Q274   | Output 274   |
| 280 | Q275   | Output 275   |
| 281 | Q276   | Output 276   |
| 282 | Q277   | Output 277   |
| 283 | Q278   | Output 278   |
| 284 | Q279   | Output 279   |
| 285 | Q280   | Output 280   |
| 286 | Q281   | Output 281   |
| 287 | Q282   | Output 282   |
| 288 | Q283   | Output 283   |
| 289 | Q284   | Output 284   |
| 290 | Q285   | Output 285   |
| 291 | Q286   | Output 286   |
| 292 | Q287   | Output 287   |
| 293 | Q288   | Output 288   |
| 294 | Q289   | Output 289   |
| 295 | Q290   | Output 290   |
| 296 | Q291   | Output 291   |
| 297 | Q292   | Output 292   |
| 298 | Q293   | Output 293   |
| 299 | Q294   | Output 294   |
| 300 | Q295   | Output 295   |
| 301 | Q296   | Output 296   |
| 302 | Q297   | Output 297   |
| 303 | Q298   | Output 298   |
| 304 | Q299   | Output 299   |
| 305 | Q300   | Output 300   |
| 306 | Q301   | Output 301   |
| 307 | Q302   | Output 302   |
| 308 | Q303   | Output 303   |
| 309 | Q304   | Output 304   |
| 310 | Q305   | Output 305   |
| 311 | Q306   | Output 306   |
| 312 | Q307   | Output 307   |
| 313 | Q308   | Output 308   |
| 314 | Q309   | Output 309   |
| 315 | Q310   | Output 310   |
| 316 | Q311   | Output 311   |
| 317 | Q312   | Output 312   |
| 318 | Q313   | Output 313   |
| 319 | Q314   | Output 314   |
| 320 | Q315   | Output 315   |
| 321 | Q316   | Output 316   |
| 322 | Q317   | Output 317   |
| 323 | Q318   | Output 318   |
| 324 | Q319   | Output 319   |
| 325 | Q320   | Output 320   |
| 326 | Q321   | Output 321   |
| 327 | Q322   | Output 322   |
| 328 | Q323   | Output 323   |
| 329 | Q324   | Output 324   |
| 330 | Q325   | Output 325   |
| 331 | Q326   | Output 326   |
| 332 | Q327   | Output 327   |
| 333 | Q328   | Output 328   |
| 334 | Q329   | Output 329   |
| 335 | Q330   | Output 330   |
| 336 | Q331   | Output 331   |
| 337 | Q332   | Output 332   |
| 338 | Q333   | Output 333   |
| 339 | Q334   | Output 334   |
| 340 | Q335   | Output       |

RX-V1200/RX-V1200RDS/HTR-5490/DSP-AX1200/RX-V2200/DSP-AX2200  
**SCHEMATIC DIAGRAM (RX-V2200/DSP-AX2200 VIDEO)**



| IC  | Part No.        | Manufacturer    | Notes |
|-----|-----------------|-----------------|-------|
| 61  | LA7109          | PHILIPS         |       |
| 62  | MM74HC4051N     | MM74HC4051N     |       |
| 63  | MM74HC4051S, JX | MM74HC4051S, JX |       |
| 64  | LA7109          | PHILIPS         |       |
| 65  | LA7109          | PHILIPS         |       |
| 66  | LA7109          | PHILIPS         |       |
| 67  | LA7109          | PHILIPS         |       |
| 68  | LA7109          | PHILIPS         |       |
| 69  | LA7109          | PHILIPS         |       |
| 70  | LA7109          | PHILIPS         |       |
| 71  | LA7109          | PHILIPS         |       |
| 72  | LA7109          | PHILIPS         |       |
| 73  | LA7109          | PHILIPS         |       |
| 74  | LA7109          | PHILIPS         |       |
| 75  | LA7109          | PHILIPS         |       |
| 76  | LA7109          | PHILIPS         |       |
| 77  | LA7109          | PHILIPS         |       |
| 78  | LA7109          | PHILIPS         |       |
| 79  | LA7109          | PHILIPS         |       |
| 80  | LA7109          | PHILIPS         |       |
| 81  | LA7109          | PHILIPS         |       |
| 82  | LA7109          | PHILIPS         |       |
| 83  | LA7109          | PHILIPS         |       |
| 84  | LA7109          | PHILIPS         |       |
| 85  | LA7109          | PHILIPS         |       |
| 86  | LA7109          | PHILIPS         |       |
| 87  | LA7109          | PHILIPS         |       |
| 88  | LA7109          | PHILIPS         |       |
| 89  | LA7109          | PHILIPS         |       |
| 90  | LA7109          | PHILIPS         |       |
| 91  | LA7109          | PHILIPS         |       |
| 92  | LA7109          | PHILIPS         |       |
| 93  | LA7109          | PHILIPS         |       |
| 94  | LA7109          | PHILIPS         |       |
| 95  | LA7109          | PHILIPS         |       |
| 96  | LA7109          | PHILIPS         |       |
| 97  | LA7109          | PHILIPS         |       |
| 98  | LA7109          | PHILIPS         |       |
| 99  | LA7109          | PHILIPS         |       |
| 100 | LA7109          | PHILIPS         |       |

**RESISTOR**

| REMARKS | PARTS NAME                   | REMARKS |
|---------|------------------------------|---------|
| NO MARK | CARBON FILM RESISTOR (1/4W)  |         |
| NO MARK | TANTALUM CAPACITOR           |         |
| NO MARK | CERAMIC CAPACITOR            |         |
| NO MARK | CERAMIC TUBULAR CAPACITOR    |         |
| NO MARK | GENERAL                      |         |
| NO MARK | POLYESTER FILM CAPACITOR     |         |
| NO MARK | POLYPROPYLENE FILM CAPACITOR |         |
| NO MARK | MICK CAPACITOR               |         |
| NO MARK | SEMI-VARIABLE RESISTOR       |         |
| NO MARK | CCP RESISTOR                 |         |

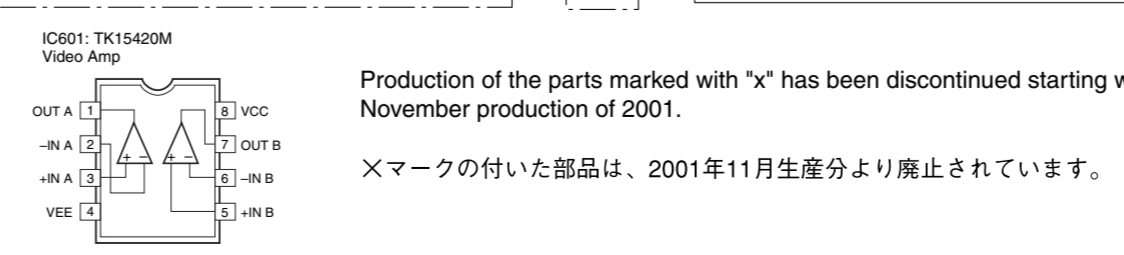
**CAPACITOR**

| REMARKS | PARTS NAME                        | REMARKS |
|---------|-----------------------------------|---------|
| NO MARK | ELECTROLYTIC CAPACITOR            |         |
| NO MARK | TANTALUM CAPACITOR                |         |
| NO MARK | CERAMIC CAPACITOR                 |         |
| NO MARK | CERAMIC TUBULAR CAPACITOR         |         |
| NO MARK | GENERAL                           |         |
| NO MARK | POLYESTER FILM CAPACITOR          |         |
| NO MARK | POLYPROPYLENE FILM CAPACITOR      |         |
| NO MARK | MICK CAPACITOR                    |         |
| NO MARK | SEMI-CONDUCTIVE CERAMIC CAPACITOR |         |

**NOTICE [mode1]**

- (J) JAPANESE
- (U) U.S.A.
- (C) CANADIAN
- (G) GENERAL
- (E) EUROPEAN
- (M) MALAYSIAN
- (F) FINISH
- (K) KOREAN

- ★ All voltages are measured with a 10M Ω/DC electric volt meter.
- ★ Components having special characteristics are marked (▲), and must be replaced with parts having specifications equal to those originally installed.
- ★ Schematic diagram is subject to change without notice.
- 電圧は、内部抵抗10MΩの電圧計で測定したものです。
- ▲印のある部品は、安全性確保部品を示しています。部品の交換が必要な場合、パーツリストに記載されている部品を使用してください。
- 本回路図は標準回路図です。改良のため予告なく変更することがございます。



Production of the parts marked with "x" has been discontinued starting with November production of 2001.

×マークの付いた部品は、2001年11月生産分より廃止されています。

# SCHEMATIC DIAGRAM (MAIN)

The voltage value before or above parentheses [ ] is applicable to RX-V1200/RX-V1200RDS/HTR-5490/DSP-AX1200 and the value in the parentheses is applicable to RX-V2200/DSP-AX2200. Also, the voltage value without parentheses is commonly applicable to all models.

[ ]外の電圧値はRX-V1200/RX-V1200RDS/HTR-5490/DSP-AX1200の値を表し、[ ]内の電圧値はRX-V2200/DSP-AX2200の値を表します。また、[ ]が付いていない電圧値は全モデルに共通の値です。

RX-V1200/RX-V1200RDS/HTR-5490/DSP-AX1200/RX-V2200/DSP-AX2200

| REMARKS | PARTS NAME                           |
|---------|--------------------------------------|
| NO MARK | ELECTROLYTIC CAPACITOR               |
| ⊗       | TANTALUM CAPACITOR                   |
| NO MARK | CERAMIC CAPACITOR                    |
| ⊙       | CERAMIC TUBULAR CAPACITOR            |
| ⊖       | POLYESTER FILM CAPACITOR             |
| ○       | POLYESTER FILM CAPACITOR             |
| ⊕       | MICA CAPACITOR                       |
| ⊖       | POLYPROPYLENE FILM CAPACITOR         |
| ⊖       | SEMICONDUCTIVE CERAMIC CAPACITOR     |
| ⊖       | POLYPHENYLENE SULFIDE FILM CAPACITOR |

| REMARKS | PARTS NAME                      |
|---------|---------------------------------|
| NO MARK | CARBON FILM RESISTOR (P=5)      |
| □       | CARBON FILM RESISTOR (P=10)     |
| △       | METAL OXIDE FILM RESISTOR       |
| ⊖       | METAL FILM RESISTOR             |
| ⊖       | METAL PLATE RESISTOR            |
| ⊖       | FIRE PROOF CARBON FILM RESISTOR |
| ⊖       | CEMENT MOUNTED RESISTOR         |
| ⊖       | SEMI VARIABLE RESISTOR          |
| ⊖       | CHIP RESISTOR                   |

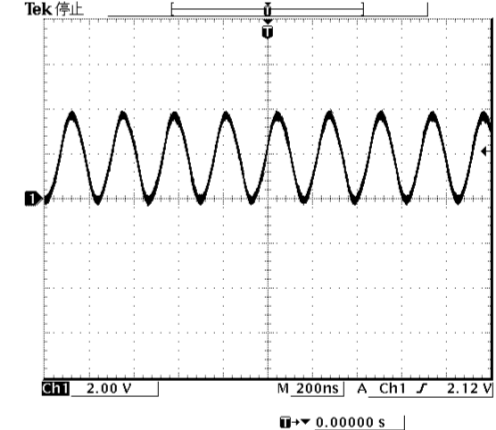
NOTICE (model)  
 (J)..... JAPANESE  
 (U)..... U.S.A.  
 (C)..... CANADIAN  
 (R)..... GENERAL  
 (A)..... AUSTRALIAN  
 (B)..... BRITISH  
 (G)..... EUROPEAN  
 (T)..... CHINA  
 (K)..... KOREA

Interchangeable Parts at Manufacture Stage

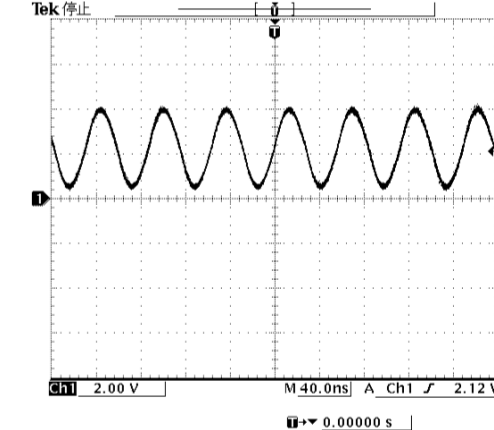
| Mark | Reference Parts Number | Parts Name                    |
|------|------------------------|-------------------------------|
| 41   | G4B-49                 | 2SC2878(A/B)<br>2SC1815P(L/T) |
| 42   | RY.6                   | DH2402-D1M1-SL<br>DH2402-D1M1 |
| 43   | D1.4.13.14             | HSS104<br>ISS133<br>ISS176    |

|    | RX-V1200/RX-V1200RDS/HTR-5490/DSP-AX1200 |            |            |            | RX-V2200/DSP-AX2200 |                  |                  |             |
|----|--|------------|------------|------------|---------------------|------------------|------------------|-------------|
|    | J  | U          | C          | R          | J                   | U                | C                | R           |
| 41 | R132                                     | X          | X          | X          | 10                  | 10               | 10               | 10          |
| 42 | R123                                     | X          | X          | X          | 4.7K                | 4.7K             | 4.7K             | 4.7K        |
| 43 | Q40                                      | X          | X          | X          | 9941(P,Q)           | 9941(P,Q)        | 9941(P,Q)        | 9941(P,Q)   |
| 44 | R127                                     | X          | X          | X          | 3.3K                | 3.3K             | 3.3K             | 3.3K        |
| 45 | R122                                     | X          | X          | X          | 100                 | 100              | 100              | 100         |
| 46 | C47                                      | X          | X          | X          | 10/25               | 10/25            | 10/25            | 10/25       |
| 47 | D18                                      | X          | X          | X          | MTZ24C              | MTZ24C           | MTZ24C           | MTZ24C      |
| 48 | R12B-R129                                | X          | X          | X          | 6.8K                | 6.8K             | 6.8K             | 6.8K        |
| 49 | R189                                     | X          | X          | X          | 1P10                | 1P10             | 1P10             | 1P10        |
| 50 | C3B-C89                                  | X          | X          | X          | 100/50              | 100/50           | 100/50           | 100/50      |
| 51 | Q43                                      | X          | X          | X          | C1815(Y)            | C1815(Y)         | C1815(Y)         | C1815(Y)    |
| 52 | TE1-TE2                                  | V591230    | V591230    | V591230    | V591230             | V591230          | V591230          | V591230     |
| 53 | C75-C77                                  | X          | X          | X          | 0.015               | 0.022            | X                | X           |
| 54 | C76-C78                                  | X          | X          | X          | 0.01                | 0.01             | X                | X           |
| 55 | C81-C84                                  | X          | X          | X          | 4700P               | 4700P            | X                | X           |
| 56 | C90                                      | X          | X          | X          | 10/50               | 10/50            | 10/50            | 10/50       |
| 57 | W11                                      | X          | X          | X          | MH39640             | MH39640          | MH39640          | MH39640     |
| 58 | SW1                                      | X          | X          | X          | SL14-22AMPF         | SL14-22AMPF      | SL14-22AMPF      | SL14-22AMPF |
| 59 | W12                                      | X          | X          | X          | MH31640             | MH31640          | X                | MH31640     |
| 60 | W19                                      | X          | X          | X          | MH34630             | MH34630          | MH34630          | MH34630     |
| 61 | W18-W19                                  | MH42616    | MH34630    | MH34630    | MH42616             | MH32620          | MH32620          | MH32620     |
| 62 | W14                                      | X          | X          | X          | MH33630             | MH33630          | X                | MH33630     |
| 63 | C65                                      | X          | X          | X          | 4700P               | 0.01             | X                | X           |
| 64 | W13                                      | X          | X          | X          | MH31640             | MH31640          | X                | MH33630     |
| 65 | R10, 11, 21, 31                          | 1/2P 820   | 1/2P 820   | 1/2P 820   | 1/2P 820            | 1/2P 1K          | 1/2P 1K          | 1/2P 1K     |
| 66 | R34, 35, 37, 39, 40                      | 1/2P 1K    | 1/2P 1K    | 1/2P 1K    | 1/2P 1K             | 1/2P 820         | 1/2P 820         | 1/2P 820    |
| 67 | Q1A, 11C, 21A, 21C, 32A, 32C, 34A, 34C   | A1695C4468 | A1695C4468 | A1695C4468 | A1695C4468          | A1482C866 (G, P) | A1482C866 (G, P) |             |

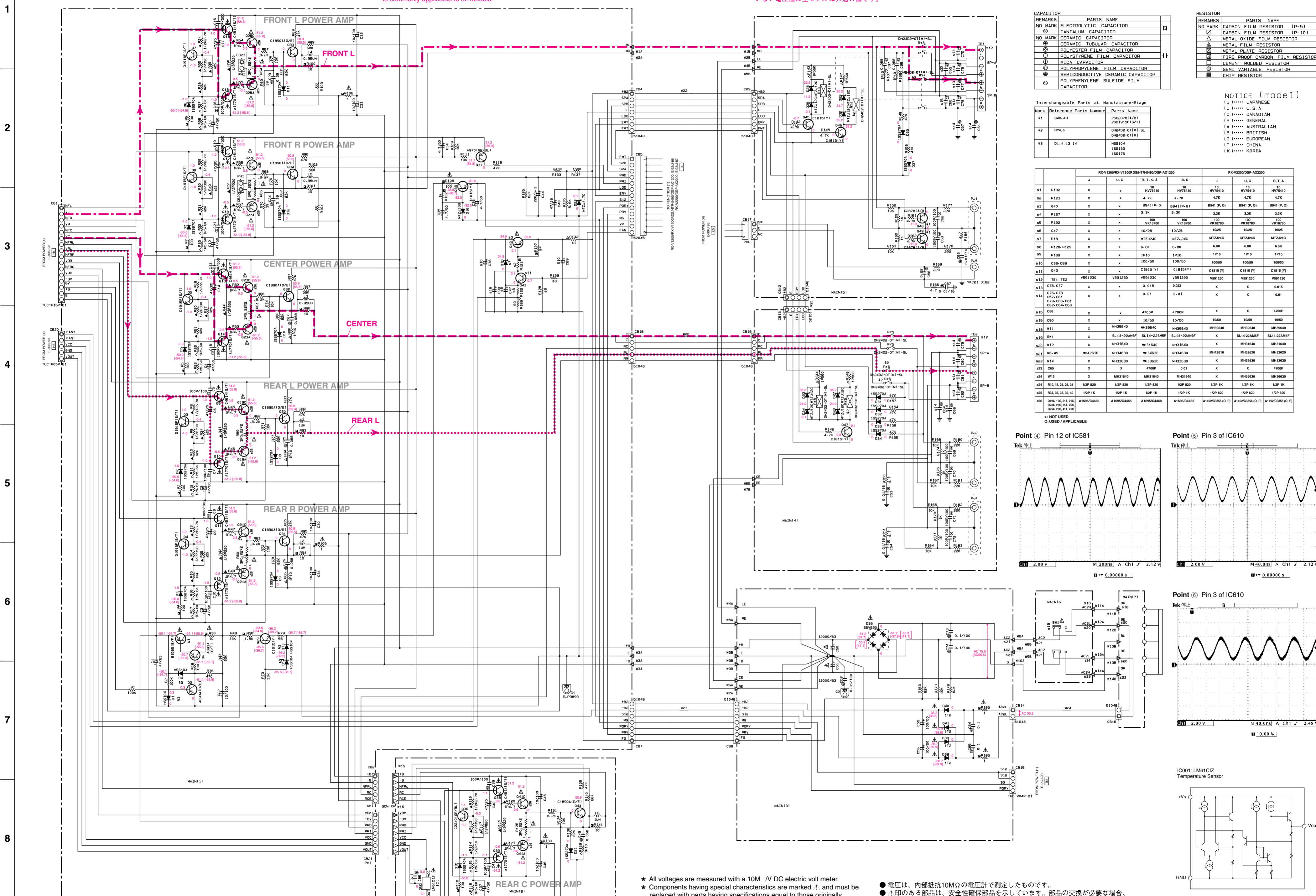
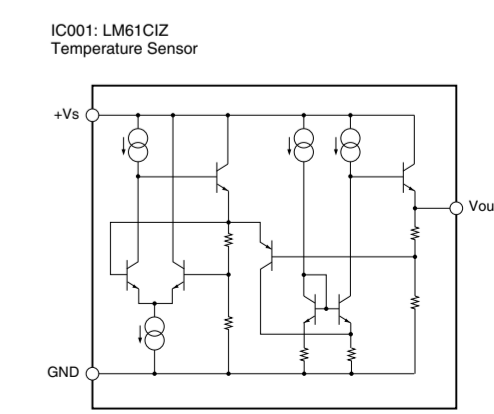
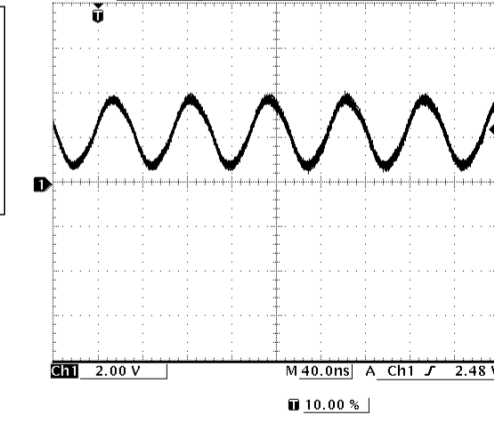
Point ④ Pin 12 of IC581



Point ⑤ Pin 3 of IC610



Point ⑥ Pin 3 of IC610



★ All voltages are measured with a 10M  $\Omega$  DC electric volt meter.  
 ★ Components having special characteristics are marked  $\Delta$  and must be replaced with parts having specifications equal to those originally installed.  
 ★ Schematic diagram is subject to change without notice.

● 電圧は、内部抵抗10M $\Omega$ の電圧計で測定したものです。  
 ●  $\Delta$ 印のある部品は、安全性確保部品を示しています。部品の交換が必要な場合、パーツリストに記載されている部品を使用してください。  
 ● 本回路図は標準回路図です。改良のため予告なく変更することがございます。

# SCHEMATIC DIAGRAM (POWER)

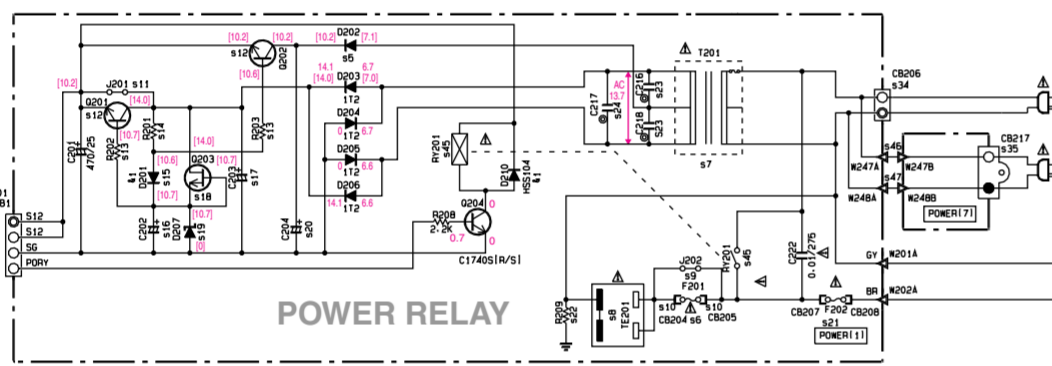
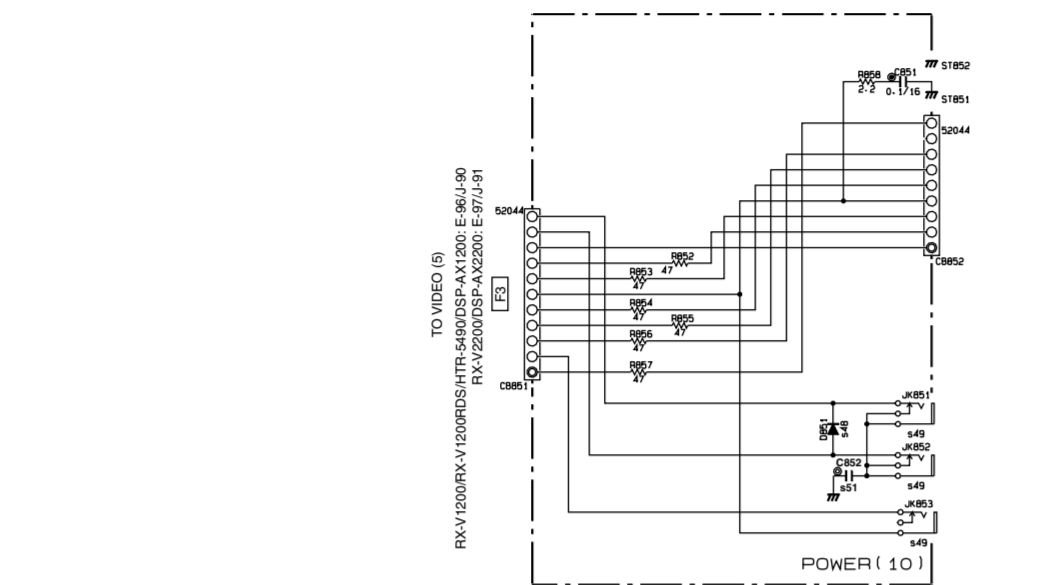
The voltage value before or above parentheses ( ) is applicable to RX-V1200/RX-V1200RDS/HTR-5490/DSP-AX1200 and the value in the parentheses is applicable to RX-V2200/DSP-AX2200. Also, the voltage value without parentheses is commonly applicable to all models.

[ ] 外の電圧値はRX-V1200/RX-V1200RDS/HTR-5490/DSP-AX1200の値を表し、 [ ] 内の電圧値はRX-V2200/DSP-AX2200の値を表します。また、 [ ] が付いていない電圧値は全モデルに共通の値です。

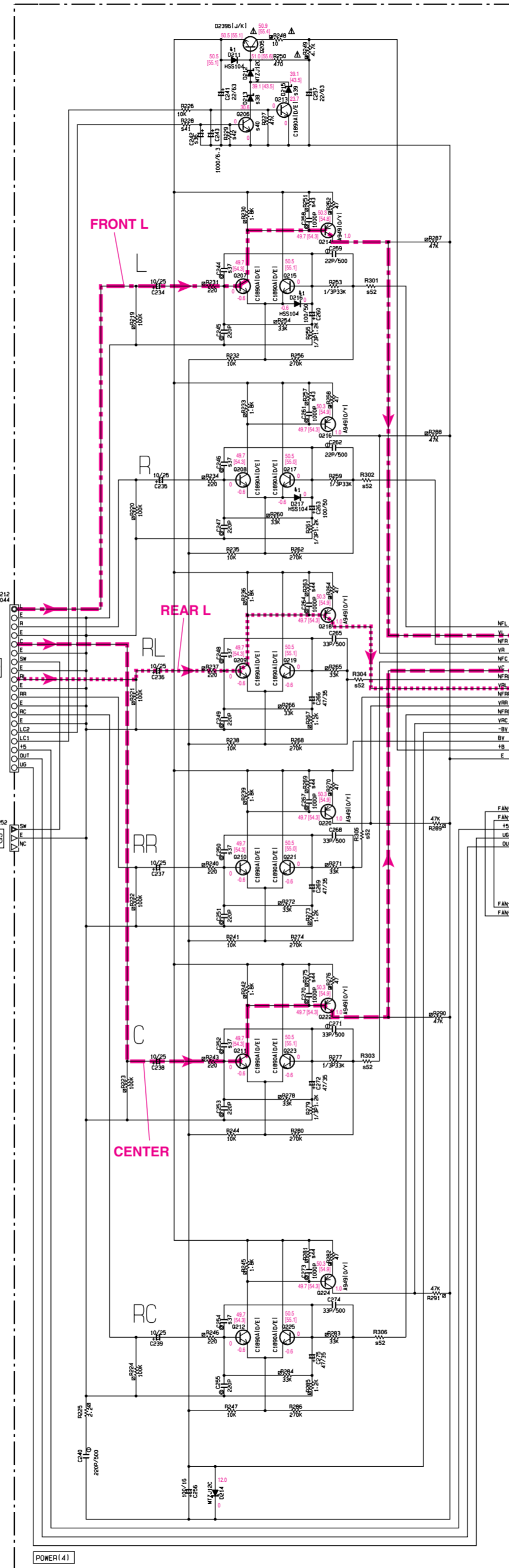
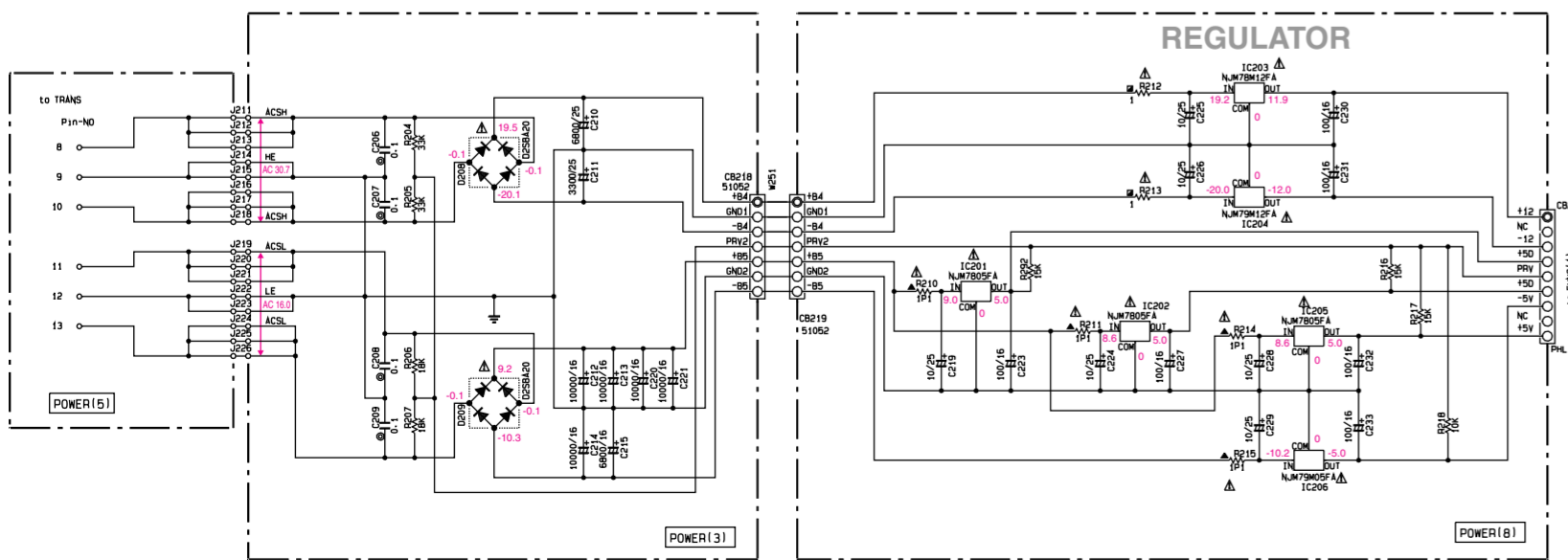
| RESISTOR | PARTS NAME                      |
|----------|---------------------------------|
| REMARKS  |                                 |
| NO MARK  | CARBON FILM RESISTOR (P=5)      |
| □        | CARBON FILM RESISTOR (P=10)     |
| △        | METAL OXIDE FILM RESISTOR       |
| ⊖        | METAL FILM RESISTOR             |
| ⊕        | METAL PLATE RESISTOR            |
| ⊙        | FINE PRINT CARBON FILM RESISTOR |
| ⊚        | CEMENT MOLDED RESISTOR          |
| ⊛        | SEMI VARIABLE RESISTOR          |
| ■        | CHIP RESISTOR                   |

| CAPACITOR | PARTS NAME                           |
|-----------|--------------------------------------|
| REMARKS   |                                      |
| NO MARK   | ELECTROLYTIC CAPACITOR               |
| ⊖         | TANTALUM CAPACITOR                   |
| ⊙         | CERAMIC CAPACITOR                    |
| ⊚         | CERAMIC TUBULAR CAPACITOR            |
| ⊕         | POLYESTER FILM CAPACITOR             |
| ○         | POLYETHYLENE FILM CAPACITOR          |
| ⊖         | MICA CAPACITOR                       |
| ⊙         | POLYPROPYLENE FILM CAPACITOR         |
| ⊚         | SEMICONDUCTIVE CERAMIC CAPACITOR     |
| ⊕         | POLYPHENYLENE SULFIDE FILM CAPACITOR |

NOTICE (mode1)  
 (J)..... JAPANESE  
 (U)..... U. S. A.  
 (C)..... CANADIAN  
 (F)..... GENERAL  
 (A)..... AUSTRALIAN  
 (B)..... BRITISH  
 (G)..... EUROPEAN  
 (T)..... CHINA  
 (K)..... KOREA

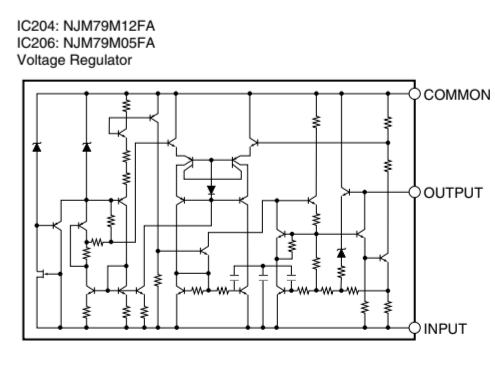
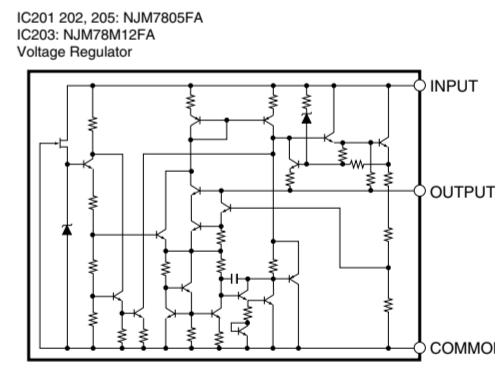


| VOLTAGE SELECTOR | 240V    | 1-2/5-6 |
|------------------|---------|---------|
|                  |         |         |
| 220V             | 2-3/6-7 |         |
| 110V             | 3-4/7-8 |         |
| 120V             | 4-5/8-1 |         |



|                  | RX-V1200/RX-V1200RDS/HTR-5490/DSP-AX1200 |              |              |              |              |              |              |              |              |              | RX-V2200/DSP-AX2200 |              |          |              |              |              |              |          |              |              |              |              |
|------------------|--|--------------|--------------|--------------|--------------|--------------|--------------|--------------|--------------|--------------|---------------------|--------------|----------|--------------|--------------|--------------|--------------|----------|--------------|--------------|--------------|--------------|
|                  | J  | U            | C            | R.T.K        | A            | B            | G            | J            | U            | C            | R.T                 | A            | J        | U            | C            | R.T          | A            |          |              |              |              |              |
| 95 D002          | x  | x            | x            | x            | x            | x            | x            | x            | x            | x            | x                   | x            | x        | x            | x            | x            | x            | x        | x            | x            | x            | x            |
| 96 F201          | x  | BA125V       | x            | x            | x            | x            | x            | 12-34K25V    | x            | BA125V       | x                   | x            | x        | BA125V       | x            | x            | x            | x        | BA125V       | x            | x            | x            |
| 97 T201          | x2227                                    | x2208        | x2208        | x2208        | x2208        | x2208        | x2208        | x2227        | x2208        | x2208        | x2208               | x2208        | x        | x            | x            | x            | x            | x        | x            | x            | x            | x            |
| 98 TE201         | V64310                                   | V64310       | V64310       | V64310       | V79100       | V64310       | V64310       | V64310       | V64310       | V64310       | V64310              | V79100       | x        | x            | x            | x            | x            | x        | x            | x            | x            | x            |
| 99 J202          | 0  | 0            | 0            | 0            | 0            | 0            | 0            | 0            | 0            | 0            | 0                   | 0            | 0        | 0            | 0            | 0            | 0            | 0        | 0            | 0            | 0            | 0            |
| 100 CB004-205    | x  | VP2050       | x            | x            | x            | x            | x            | VP2050       | x            | VP2050       | x                   | x            | x        | x            | x            | x            | x            | x        | x            | x            | x            | x            |
| 111 J201         | 0  | 0            | 0            | 0            | 0            | 0            | 0            | 0            | 0            | 0            | 0                   | 0            | 0        | 0            | 0            | 0            | 0            | 0        | 0            | 0            | 0            | 0            |
| 112 Q201-202     | x  | x            | x            | x            | Q2961 LxK1   | x            | x            | x            | x            | x            | x                   | x            | x        | x            | x            | x            | x            | x        | x            | x            | x            | x            |
| 113 R202-203     | x  | x            | x            | x            | 100          | x            | x            | x            | x            | x            | x                   | x            | x        | x            | x            | x            | x            | x        | x            | x            | x            | x            |
| 114 R201         | x  | x            | x            | x            | 10K          | x            | x            | x            | x            | x            | x                   | x            | x        | x            | x            | x            | x            | x        | x            | x            | x            | x            |
| 115 D201         | x  | x            | x            | x            | 15S133       | x            | x            | x            | x            | x            | x                   | x            | x        | x            | x            | x            | x            | x        | x            | x            | x            | x            |
| 116 C202         | x  | x            | x            | x            | 10/25        | x            | x            | x            | x            | x            | x                   | x            | x        | x            | x            | x            | x            | x        | x            | x            | x            | x            |
| 117 C203         | x  | x            | x            | x            | 15/100       | x            | x            | x            | x            | x            | x                   | x            | x        | x            | x            | x            | x            | x        | x            | x            | x            | x            |
| 118 R203         | x  | x            | x            | x            | K244 [Y]     | x            | x            | x            | x            | x            | x                   | x            | x        | x            | x            | x            | x            | x        | x            | x            | x            | x            |
| 119 D207         | x  | x            | x            | x            | MTZ115B      | x            | x            | x            | x            | x            | x                   | x            | x        | x            | x            | x            | x            | x        | x            | x            | x            | x            |
| 120 C204         | x  | x            | x            | x            | 15/70        | x            | x            | x            | x            | x            | x                   | x            | x        | x            | x            | x            | x            | x        | x            | x            | x            | x            |
| 121 F202         | BA125V                                   | BA125V       | BA125V       | BA125V       | 14L250V      | 14L250V      | 14L250V      | BA125V       | BA125V       | BA125V       | BA125V              | 14L250V      | BA125V   | BA125V       | BA125V       | BA125V       | 14L250V      | BA125V   | BA125V       | BA125V       | BA125V       | 14L250V      |
| 122 R209         | x  | 1/200 W      | 1/200 W      | 1/200 W      | x            | x            | x            | x            | x            | x            | x                   | x            | x        | x            | x            | x            | x            | x        | x            | x            | x            | x            |
| 123 C216-218     | x  | x            | x            | x            | 0.01         | x            | x            | x            | x            | x            | x                   | x            | x        | x            | x            | x            | x            | x        | x            | x            | x            | x            |
| 124 C217         | 0.01/100                                 | 0.01/100     | 0.01/100     | x            | 0.01/100     | 0.01/100     | 0.01/100     | 0.01/100     | 0.01/100     | 0.01/100     | 0.01/100            | 0.01/100     | 0.01/100 | 0.01/100     | 0.01/100     | 0.01/100     | 0.01/100     | 0.01/100 | 0.01/100     | 0.01/100     | 0.01/100     | 0.01/100     |
| 125 R223         | x  | x            | x            | x            | MH2630       | x            | x            | x            | x            | x            | x                   | x            | x        | x            | x            | x            | x            | x        | x            | x            | x            | x            |
| 126 R221         | x  | x            | x            | x            | MH4630       | x            | x            | x            | x            | x            | x                   | x            | x        | x            | x            | x            | x            | x        | x            | x            | x            | x            |
| 127 R225         | x  | x            | x            | x            | MH3630       | x            | x            | x            | x            | x            | x                   | x            | x        | x            | x            | x            | x            | x        | x            | x            | x            | x            |
| 128 R222         | x  | x            | x            | x            | MH9630       | x            | x            | x            | x            | x            | x                   | x            | x        | x            | x            | x            | x            | x        | x            | x            | x            | x            |
| 129 R204         | x  | x            | x            | x            | MH6630       | x            | x            | x            | x            | x            | x                   | x            | x        | x            | x            | x            | x            | x        | x            | x            | x            | x            |
| 130 R206         | x  | x            | x            | x            | MH1630       | x            | x            | x            | x            | x            | x                   | x            | x        | x            | x            | x            | x            | x        | x            | x            | x            | x            |
| 131 3K202        | x  | x            | x            | x            | V718230      | x            | x            | x            | x            | x            | x                   | x            | x        | x            | x            | x            | x            | x        | x            | x            | x            | x            |
| 132 CB209-210    | x  | x            | x            | x            | VP2050       | x            | x            | x            | x            | x            | x                   | x            | x        | x            | x            | x            | x            | x        | x            | x            | x            | x            |
| 133 F203         | x  | x            | x            | x            | 14L250V      | x            | x            | x            | x            | x            | x                   | x            | x        | x            | x            | x            | x            | x        | x            | x            | x            | x            |
| 134 CB206        | V68790                                   | x            | x            | x            | V68790       | V68790       | V68790       | V68790       | V68790       | V68790       | V68790              | V68790       | x        | x            | x            | x            | x            | x        | x            | x            | x            | x            |
| 135 CB217        | x  | V66120       | V66120       | x            | x            | x            | x            | V66120       | V66120       | V66120       | V66120              | x            | x        | x            | x            | x            | x            | x        | x            | x            | x            | x            |
| 136 C242         | x  | 1000/6.3     | 1000/6.3     | 1000/6.3     | 1000/6.3     | 1000/6.3     | 1000/6.3     | 1000/6.3     | 1000/6.3     | 1000/6.3     | 1000/6.3            | 1000/6.3     | x        | 1000/6.3     | 1000/6.3     | 1000/6.3     | 1000/6.3     | 1000/6.3 | 1000/6.3     | 1000/6.3     | 1000/6.3     | 1000/6.3     |
| 137 C244-246-252 | 100P                                     | 100P         | 100P         | 100P         | 200P         | 200P         | 200P         | 200P         | 200P         | 200P         | 200P                | 200P         | 100P     | 100P         | 100P         | 200P         | 200P         | 100P     | 100P         | 100P         | 200P         | 200P         |
| 138 C248-250-254 | V66450                                   | V66450       | V66450       | V66450       | V66450       | V66450       | V66450       | V66450       | V66450       | V66450       | V66450              | V66450       | V66450   | V66450       | V66450       | V66450       | V66450       | V66450   | V66450       | V66450       | V66450       | V66450       |
| 139 D213         | x  | MTZ10A       | MTZ10A       | MTZ10A       | MTZ10A       | MTZ10A       | MTZ10A       | MTZ10A       | MTZ10A       | MTZ10A       | MTZ10A              | MTZ10A       | x        | MTZ10A       | MTZ10A       | MTZ10A       | MTZ10A       | x        | MTZ10A       | MTZ10A       | MTZ10A       | MTZ10A       |
| 139 D215         | MTZ10A                                   | MTZ10A       | MTZ10A       | MTZ10A       | MTZ10A       | MTZ10A       | MTZ10A       | MTZ10A       | MTZ10A       | MTZ10A       | MTZ10A              | MTZ10A       | MTZ10A   | MTZ10A       | MTZ10A       | MTZ10A       | MTZ10A       | MTZ10A   | MTZ10A       | MTZ10A       | MTZ10A       | MTZ10A       |
| 140 R206         | x  | C189A1 [D/E] | C189A1 [D/E] | C189A1 [D/E] | C189A1 [D/E] | C189A1 [D/E] | C189A1 [D/E] | C189A1 [D/E] | C189A1 [D/E] | C189A1 [D/E] | C189A1 [D/E]        | C189A1 [D/E] | x        | C189A1 [D/E] | C189A1 [D/E] | C189A1 [D/E] | C189A1 [D/E] | x        | C189A1 [D/E] | C189A1 [D/E] | C189A1 [D/E] | C189A1 [D/E] |
| 141 R208         | x  | 10K          | 10K          | 10K          | 10K          | 10K          | 10K          | 10K          | 10K          | 10K          | 10K                 | 10K          | x        | 10K          | 10K          | 10K          | 10K          | x        | 10K          | 10K          | 10K          | 10K          |
| 142 R209         | x  | 47K          | 47K          | 47K          | 47K          | 47K          | 47K          | 47K          | 47K          | 47K          | 47K                 | 47K          | x        | 47K          | 47K          | 47K          | 47K          | x        | 47K          | 47K          | 47K          | 47K          |
| 143 R251-257     | x  | HCF5915      | HCF5915      | HCF5915      | HCF5915      | HCF5915      | HCF5915      | HCF5915      | HCF5915      | HCF5915      | HCF5915             | HCF5915      | x        | HCF5915      | HCF5915      | HCF5915      | HCF5915      | x        | HCF5915      | HCF5915      | HCF5915      | HCF5915      |
| 144 R263-269     | 150                                      | 150          | 150          | 150          | 560          | 560          | 560          | 560          | 560          | 560          | 560                 | 560          | 150      | 150          | 150          | 560          | 560          | 150      | 150          | 150          | 560          | 560          |
| 144 R275-281     | 150                                      | 150          | 150          | 150          | 560          | 560          | 560          | 560          | 560          | 560          | 560                 | 560          | 150      | 150          | 150          | 560          | 560          | 150      | 150          | 150          | 560          | 560          |
| 145 R201         | 150                                      | 150          | 150          | 150          | 560          | 560          | 560          | 560          | 560          | 560          | 560                 | 560          | 150      | 150          | 150          | 560          | 560          | 150      | 150          | 150          | 560          | 560          |
| 146 R247         | x  | MH0612       | MH0612       | x            | x            | x            | x            | MH0612       | MH0612       | MH0612       | MH0612              | x            | x        | x            | x            | x            | x            | x        | x            | x            | x            | x            |
| 147 R248         | x  | MH0612       | MH0612       | x            | x            | x            | x            | MH0612       | MH0612       | MH0612       | MH0612              | x            | x        | x            | x            | x            | x            | x        | x            | x            | x            | x            |
| 148 R201         | x  | 15S133       | 15S133       | x            | 15S133       | x            | x            | x            | x            | x            | x                   | x            | x        | 15S133       | 15S133       | 15S133       | 15S133       | x        | 15S133       | 15S133       | 15S133       | 15S133       |
| 149 R201-202-205 | x  | VJ72680      | VJ72680      | x            | VJ72680      | x            | x            | x            | x            | x            | x                   | x            | x        | VJ72680      | VJ72680      | VJ72680      | VJ72680      | x        | VJ72680      | VJ72680      | VJ72680      | VJ72680      |
| 150 CB216        | x  | x            | x            | x            | PHI          | PHI          | PHI          | PHI          | PHI          | PHI          | PHI                 | PHI          | x        | PHI          | PHI          | PHI          | PHI          | x        | PHI          | PHI          | PHI          | PHI          |
| 151 CB22         | x  | 1000P        | 1000P        | x            | 1000P        | x            | x            | x            | x            | x            | x                   | 1000P        | x        | 1000P        | 1000P        | 1000P        | 1000P        | x        | 1000P        | 1000P        | 1000P        | 1000P        |
| 152 R301-306     | HF45310                                  | HF45310      | HF45310      | HF45310      | HF45310      | HF45310      | HF45310      | HF45310      | HF45310      | HF45310      | HF45310             | HF45310      | HF45310  | HF45310      | HF45310      | HF45310      | HF45310      | HF45310  | HF45310      | HF45310      | HF45310      | HF45310      |

| Mark | Reference            | Parts Number | Parts Name |
|------|----------------------|--------------|------------|
| 41   | 0001,210,211,216,217 | M55104       | Diode      |
|      |                      | 15S133       | Diode      |
|      |                      | 15S133       | Diode      |



★ All voltages are measured with a 10M Ω DC electric volt meter.  
 ★ Components having special characteristics are marked with a triangle and must be replaced with parts having specifications equal to those originally installed.  
 ★ Schematic diagram is subject to change without notice.

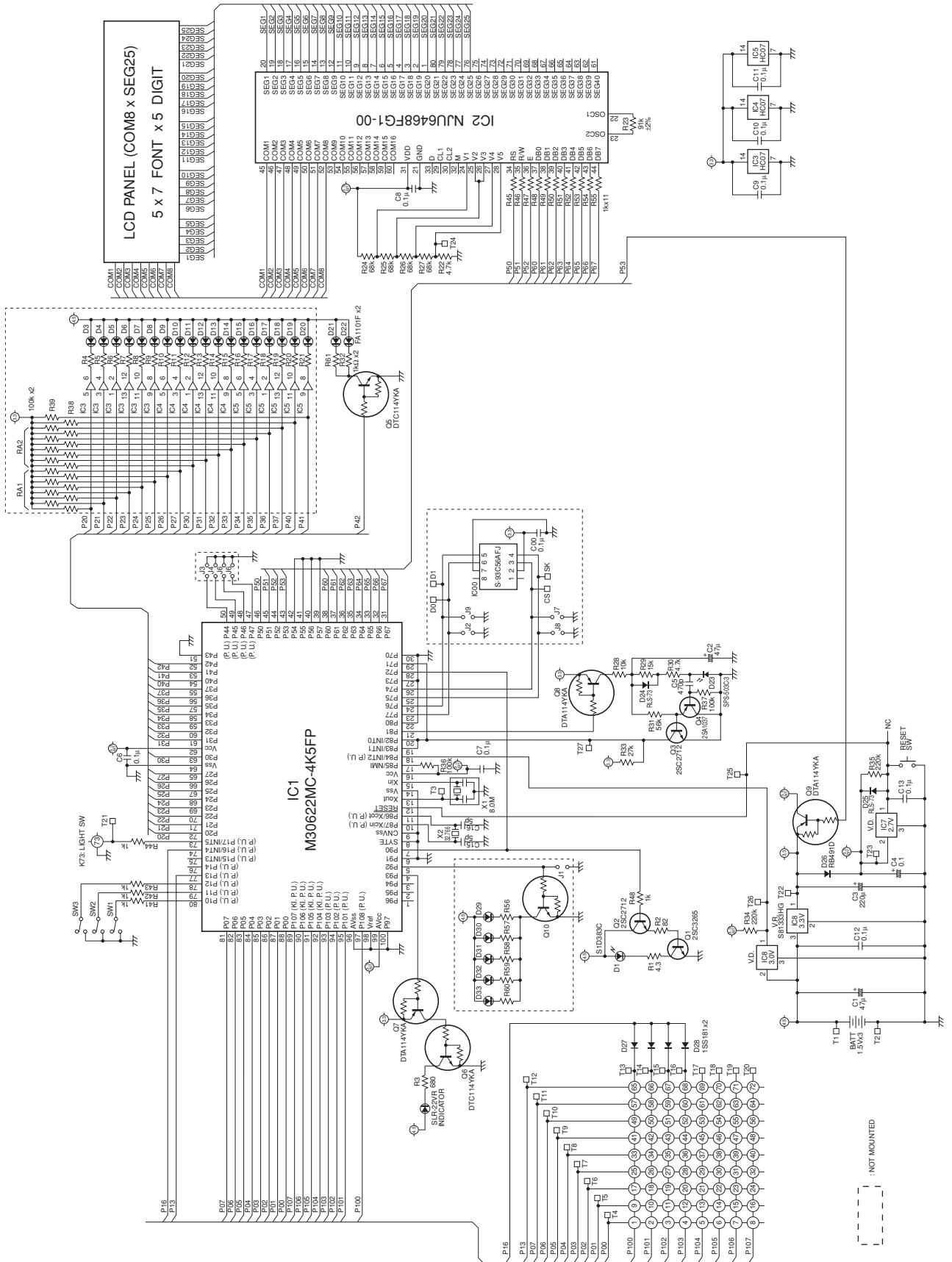
● 電圧は、内部抵抗10MΩの電圧計で測定したものです。  
 ● △印のある部品は、安全性確保部品を示しています。部品の交換が必要な場合、パーツリストに記載されている部品を使用してください。  
 ● 本回路図は標準回路図です。改良のため予告なく変更することがございます。





# RX-V2200 REMOTE CONTROL TRANSMITTER

## SCHEMATIC DIAGRAM



: NOT MOUNTED